

Parth Physiotherapy Treatment Table is expertly crafted for versatile physiotherapy applications. Featuring lowerable armrests to ease neck and shoulder tension, plus gas spring-assisted backrest and headrest, it ensures effortless, comfortable positioning for patients and practitioners.



KEY FEATURES



DIFFERENCE BETWEEN PRO AND BASIC MODEL

PRO MODEL

- **Walk Free Switch**

The Pro Model comes with a hands-free foot control system for height adjustments. It enhances hygiene, efficiency, ergonomics and can be operated from both sides. IEC 60601-1 safety requirement and IEC 60601-1-2 EMC standard complaint.

- **Easy Mobility**

The Pro Models have an easy mobility feature, which allows effortless repositioning of the treatment table within clinical environments. With a press of a lever, the table is lifted onto four wheels for smooth movement. When mobility is no longer required, the table can be securely fixed back on the ground for stability during procedures.

BASIC MODEL

- **Foot Switch**

Basic Model only comes with a wired foot controller for height adjustment by pressing the + or – symbols on the foot switch, as shown in the image below.



UPHOLSTERY

Phthalate-Free Upholstery

Phthalate-Free Upholstery offers a safer, hospital-grade surface that resists stains, disinfectants, and abrasion, ensuring hygienic, durable, and eco-friendly performance across demanding clinical environments.



FEATURES

| | |
|------------------|--|
| Backrest | Manually Adjustable (Gas Spring) |
| Armrest | Pneumatically lowerable armrests |
| Nose Slot | Helps the patient breathe freely in face down (prone position) |
| Height | Electronically Adjustable |
| Walk Free Switch | For Hands Free Height Adjustment |
| Easy Mobility | 75 mm Castor Wheels for smooth movement |

TECHNICAL SPECIFICATIONS

| | |
|----------------------|---|
| Length | 1995 mm / 78.5 in |
| Width | 750 mm / 29.5 in |
| Minimum Height | 530 mm / 20.8 in |
| Maximum Height | 890 mm / 35 in |
| Backrest Inclination | -15° (when lowered) & 80° (when raised) |

ELECTRICAL PARAMETERS

| | |
|-------------------------------|-------------------------|
| Power in (Mains Power Supply) | 100-240 V, 50-60 HZ, 2A |
| IPX Rating | IPX4 |
| Operating Temperature | 5-40°C |
| Shock Protection: | Class I |

BASE & FRAME

| | |
|-------------------|--|
| Frame Structure | Mild steel construction powder coated frame & ABS molded parts |
| Base | Powder coated metal frame |
| Safe Working Load | 180 kgs |

SAFETY STANDARDS

| | |
|---|-------------|
| General safety for medical electrical equipment | IEC 60601-1 |
| EMI/EMC | IEC 60601-2 |

UPHOLSTERY

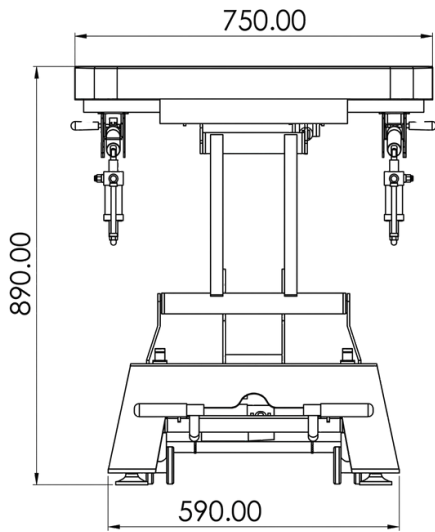
| | |
|------------------|------------------------------------|
| Type | Phthalate-Free Upholstery |
| Thickness | 1.01 mm |
| Tensile Strength | ISO 1421, 804 N/ 5 cm |
| Colour Options | Cream, Beige, Brown, Mouse Grey |
| Weight | 732 g / sqmt |
| Abrasion | ISO 5470-2 = 2,00,000 cycles / min |

WARRANTY

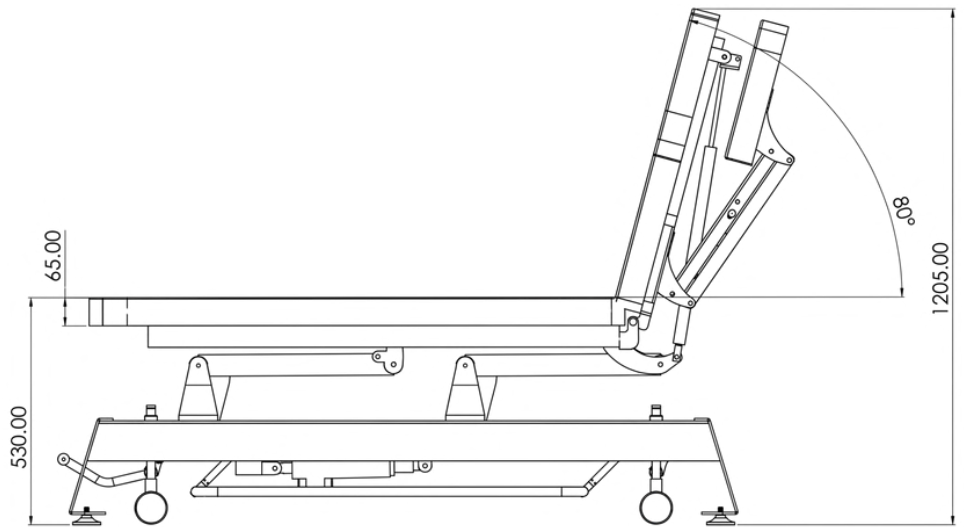
3 years on motors



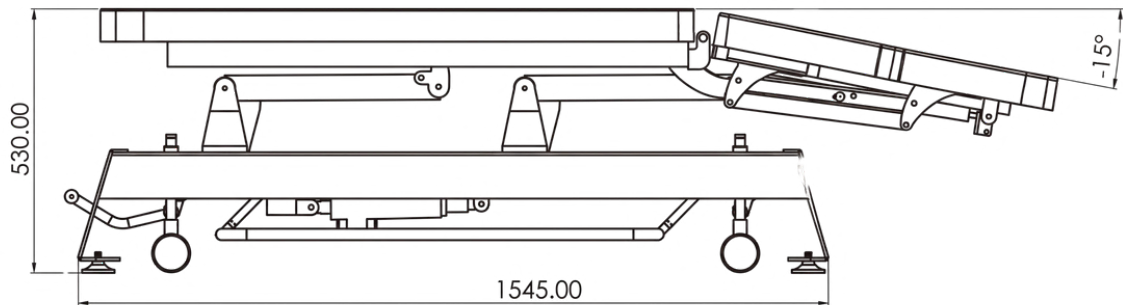
TECHNICAL DRAWINGS



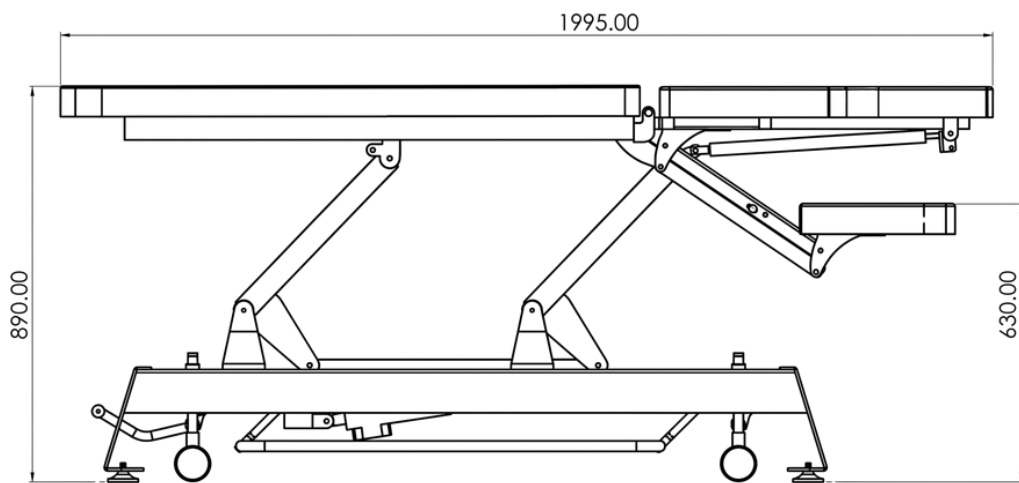
FRONT VIEW



SIDE VIEW



MINIMUM HEIGHT



MAXIMUM HEIGHT

ALL DIMENSIONS ARE IN MM