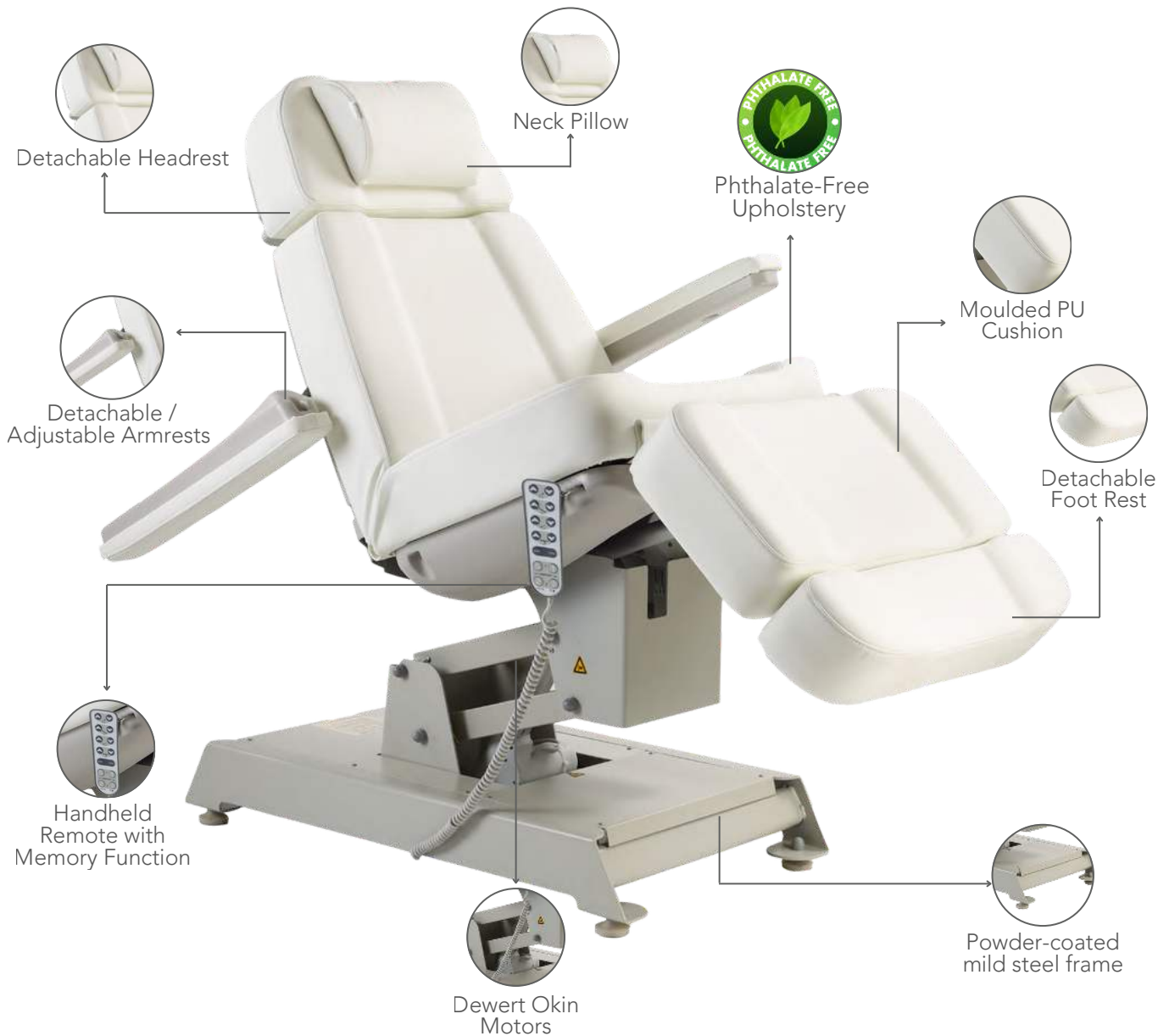


The Mridul Derma Chair by Esthetica is a professional dermatology chair designed to elevate clinical efficiency and patient comfort. It features a five-piece fully articulated top for superior positioning and versatility. Electrically adjustable height, backrest, leg rest, and tilt functions allow precise control during procedures. Detachable armrests, headrest, and foot section provide added flexibility, making it ideal for modern dermatology and aesthetic practices seeking reliability and advanced functionality.



KEY FEATURES

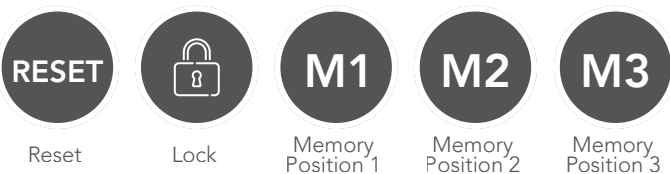


Tilt Function

Mridul Derma Chair's tilt function allows the seat and backrest to move simultaneously, enabling patients to recline comfortably without back pressure—ideal for long treatments while maintaining a stable, ergonomic position.

Programmable Handset

The Mridul Derma Chair's programmable handset stores three doctor-defined positions. With one touch, the chair returns to a saved setting, saving time and allowing positions to be recalled repeatedly during procedures.



Detachable Design

This dermatology chair features removable headrest, leg rest, and armrests, enabling flexible configurations to support diverse treatments, including trichology, foot care, and various skin procedures with enhanced convenience and adaptability.

Phthalate-Free Upholstery

Phthalate-Free Upholstery is designed for hospital environments, offering a safer surface for patients and healthcare workers. It resists stains and disinfectants, withstands frequent cleaning, and ensures durable, fire- and abrasion-resistant performance.



FEATURES

Armrests
Backrest
Headrest
Legrest
Foot Rest
Height
Trendelenburg
Foam Cushion

Programable Handset

Detachable and Adjustable armrests with forward-backward and up-down movement
Electronically Adjustable
Detachable Headrest for flexible treatment
Electronically Adjustable
Detachable Foot Rest
Electronically Adjustable
Electronically Adjustable
75 mm mixed layer for comfortable seating



Reset



Lock



Memory Position 1



Memory Position 2



Memory Position 3

TECHNICAL SPECIFICATIONS

Length 1880 mm / 74 in
Width without side armrests 630 mm / 24.8 in
Width with side armrests 840 mm / 33 in
Minimum height 630 mm / 24.8 in
Maximum height 850 mm / 33.46 in
Tilt Angle -20°

ELECTRICAL PARAMETERS

Power in (Mains Power Supply) 100-240 V, 50-60HZ, 1.5 A
IPX Rating IPX 6
Operating Temperature 10-40°C
Shock Protection Class I

BASE & FRAME

Base Powder-coated mild steel frame
Safe Working Load 180 kgs
Patient Load Bearing capacity 150 kgs

SAFETY STANDARDS

General safety for medical electrical equipment IEC 60601-1
EMI/EMC IEC 60601-2

UPHOLSTERY

Type Veridura Phthalate-Free Upholstery
Thickness 1 mm
Tensile Strength ISO 1421, 869.22 N/ 5 cm
Colour Options Cream, Beige, Brown, Mouse Grey
Weight 726.7 g / sqmt
Abrasion ISO 5470-2 = 2,00,000 cycles / min

Features :



Phthalate-Free



Fire Retardant



Oil Resistant



Alcohol Resistant



Ultra Soft



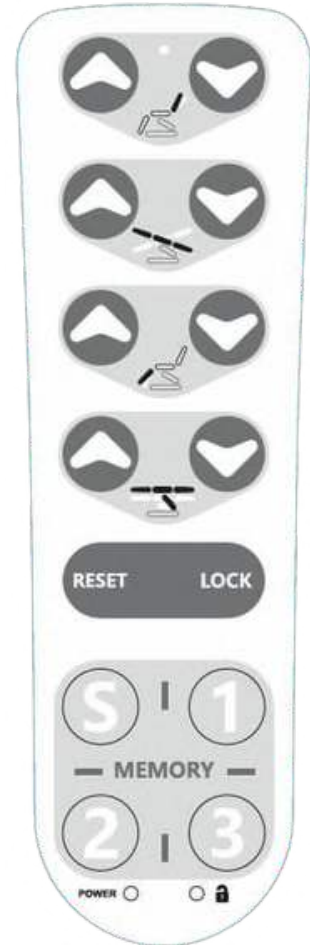
Stain Resistant



Anti Bacterial



Eco-Friendly

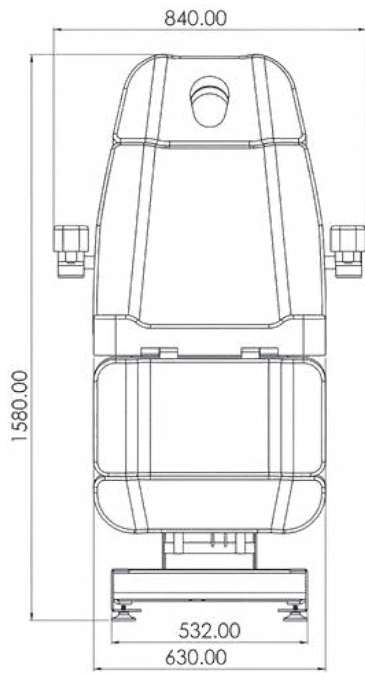


HANDSET

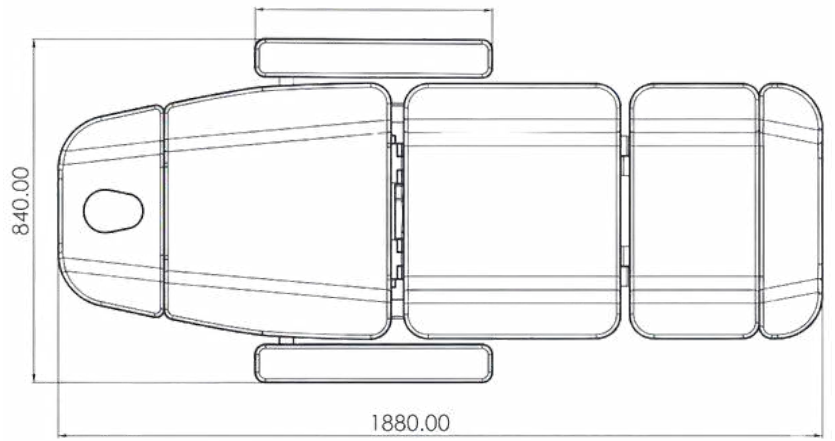
WARRANTY

3 years on motors

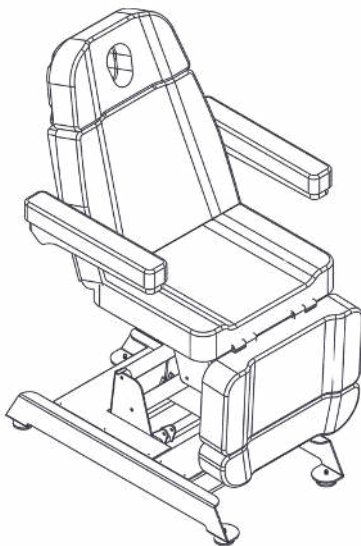
TECHNICAL DRAWINGS



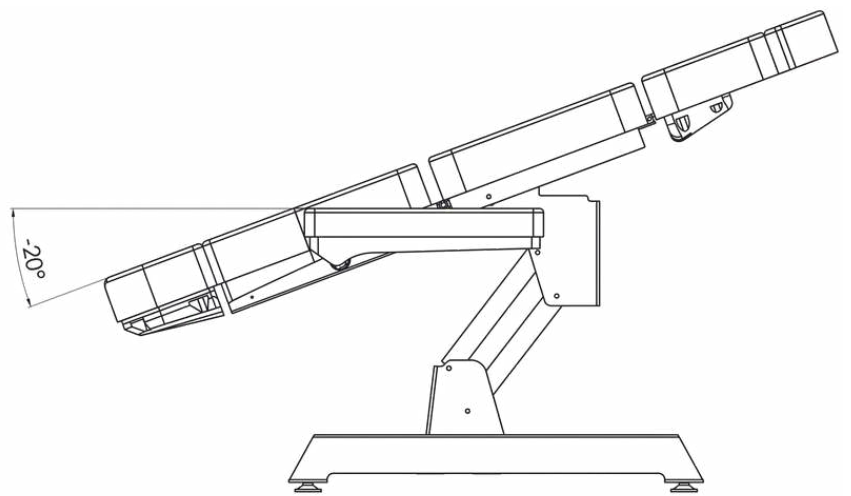
FRONT VIEW



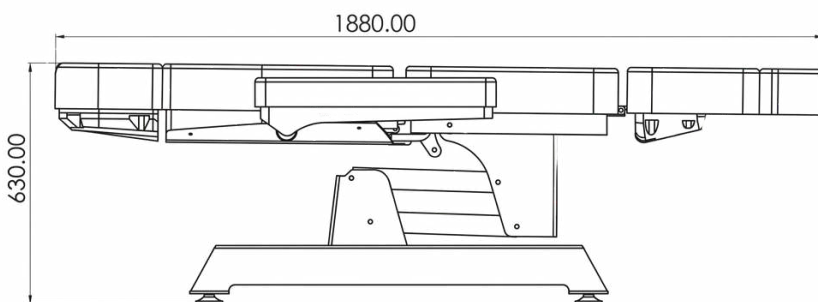
TOP VIEW



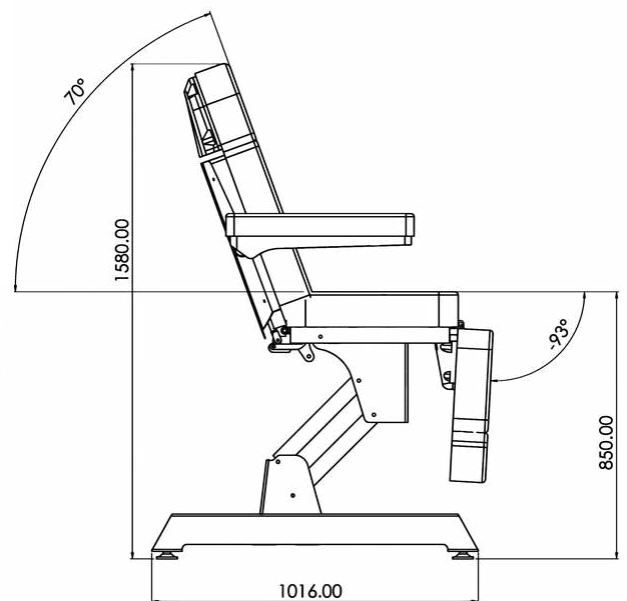
ISOMETRIC VIEW



TRENDELENBURG



MINIMUM HEIGHT



MAXIMUM HEIGHT

ALL DIMENSIONS ARE IN MM