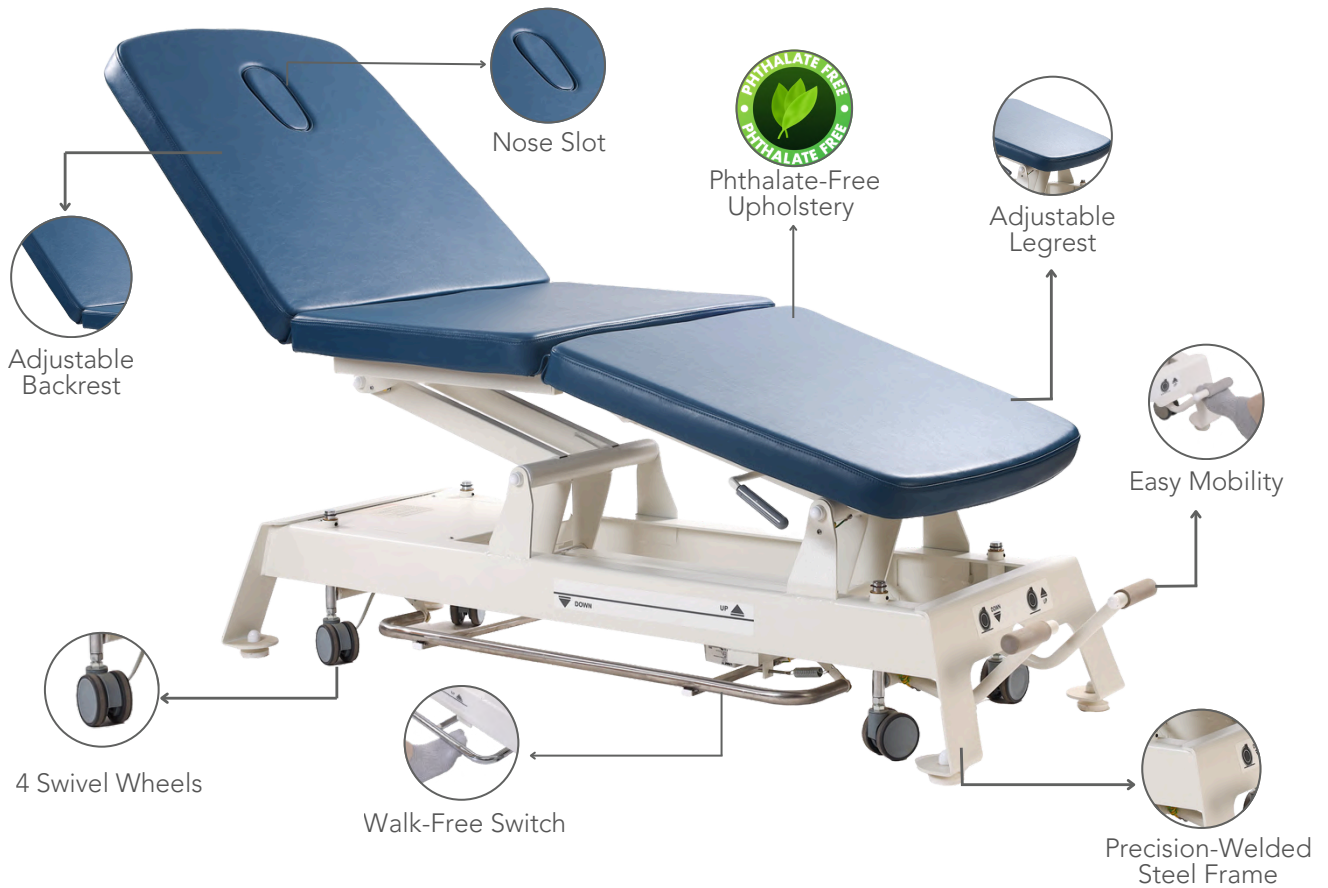


Mokshit 3 Section Treatment Table is thoughtfully designed to support patients in lying, sitting, and kyphosis positions. Featuring precision engineering, its gas spring-assisted backrest and legrest ensure smooth, comfortable adjustments tailored to individual patient needs.



## KEY FEATURES



## DIFFERENCE BETWEEN PRO AND BASIC MODEL

### PRO MODEL

- **Walk Free Switch**

The Pro Model comes with a hands-free foot control system for height adjustments. It enhances hygiene, efficiency, ergonomics and can be operated from both sides. IEC 60601-1 safety requirement and IEC 60601-1-2 EMC standard complaint.

- **Easy Mobility**

The Pro Models have an easy mobility feature, which allows effortless repositioning of the treatment table within clinical environments. With a press of a lever, the table is lifted onto four wheels for smooth movement. When mobility is no longer required, the table can be securely fixed back on the ground for stability during procedures.

### BASIC MODEL

- **Foot Switch**

Basic Model only comes with a wired foot controller for height adjustment by pressing the + or – symbols on the foot switch, as shown in the image below.



## UPHOLSTERY

### Phthalate-Free Upholstery

Phthalate-Free Upholstery offers a safer, hospital-grade surface that resists stains, disinfectants, and abrasion, ensuring hygienic, durable, and eco-friendly performance across demanding clinical environments.



## FEATURES

Backrest	Manually Adjustable (Gas Spring)
Legrest	Manually Adjustable (Gas Spring)
Nose Slot	Helps the patient breathe freely in face down (prone position)
Height	Electronically Adjustable
Walk Free Switch	For Hands Free Height Adjustment
Easy Mobility	75 mm Castor Wheels for smooth movement

## TECHNICAL SPECIFICATIONS

Length	2050 mm / 80.7 in
Width	750 mm / 29.5 in
Minimum Height	530 mm / 20.8 in
Maximum Height	890 mm / 35 in
Backrest Inclination	-15° (when lowered) & 80° (when raised)
Legrest Inclination	0° to -50° (when lowered)

## ELECTRICAL PARAMETERS

Power in (Mains Power Supply)	100-240 V, 50-60 HZ, 2A
IPX Rating	IPX4
Operating Temperature	5-40°C
Shock Protection:	Class I

## BASE & FRAME

Frame Structure	Mild steel construction powder coated frame & ABS molded parts
Base	Powder coated metal frame
Safe Working Load	180 kgs

## SAFETY STANDARDS

General safety for medical electrical equipment	IEC 60601-1
EMI/EMC	IEC 60601-2

## UPHOLSTERY

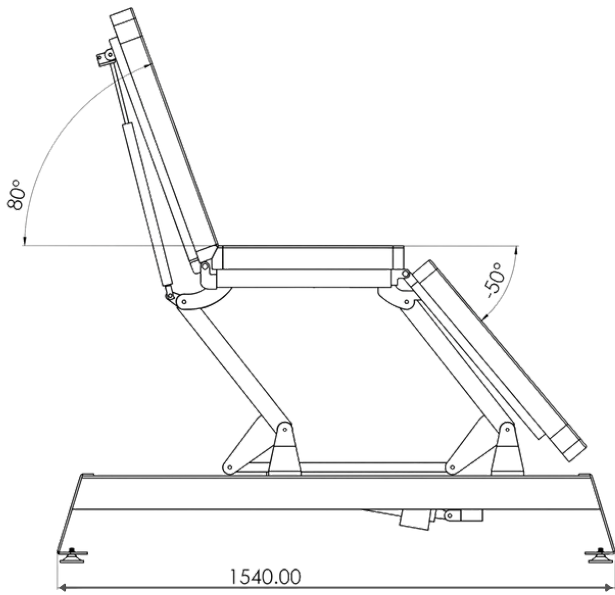
Type	Phthalate-Free Upholstery
Thickness	1.01 mm
Tensile Strength	ISO 1421, 804 N/ 5 cm
Colour Options	Cream, Beige, Brown, Mouse Grey
Weight	732 g / sqmt
Abrasion	ISO 5470-2 = 2,00,000 cycles / min

## WARRANTY

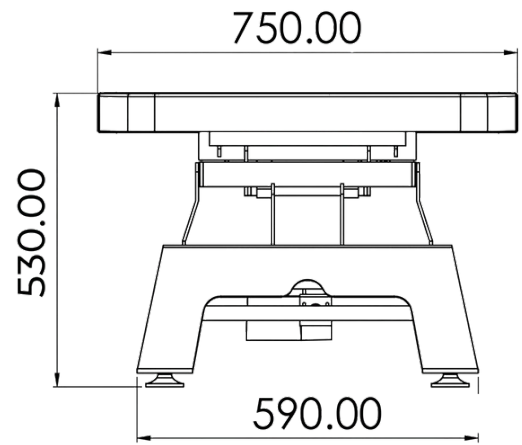
3 years on motors



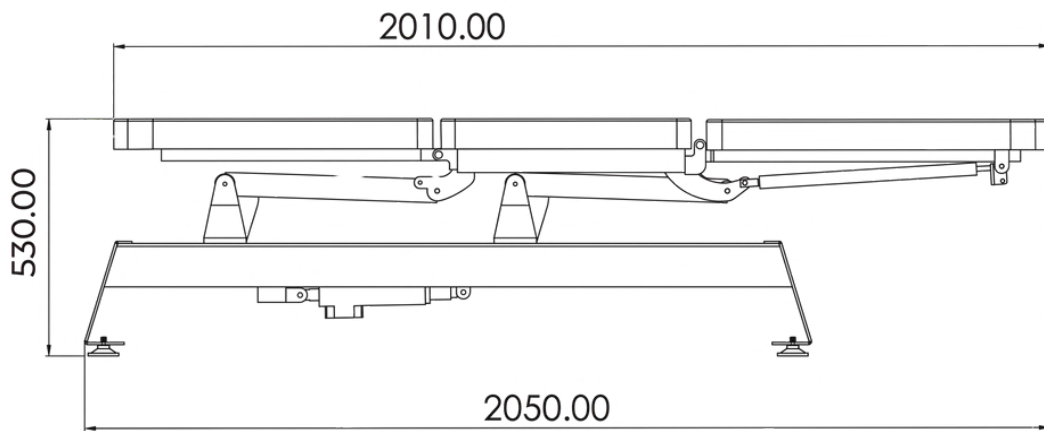
# TECHNICAL DRAWINGS



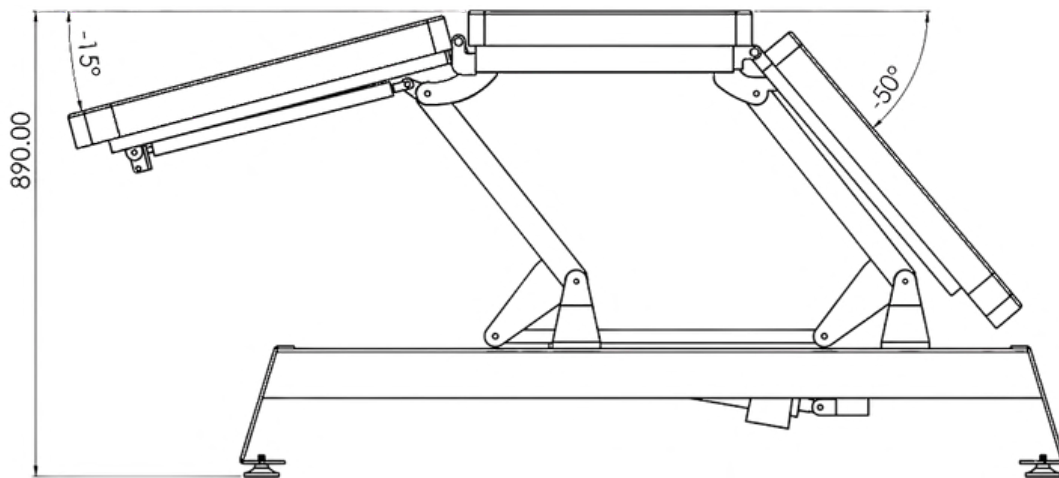
SIDE VIEW



FRONT VIEW



MINIMUM HEIGHT



MAXIMUM HEIGHT

ALL DIMENSIONS ARE IN MM