

# MEDICAL RECLINER CHAIR

PERFECT FOR INFUSION, ONCOLOGY, PHLEBOTOMY  
AND DIALYSIS FACILITIES

Esthetica's newly introduced electrically operated clinical and medical recliner is thoughtfully engineered to address the varied needs of healthcare settings, offering a perfect balance of durability, comfort, and functionality. Ideal for use in IV Infusion, Oncology, Phlebotomy, Blood Collection and Dialysis centers, this recliner features a robust, powder-coated steel frame designed for reliability in demanding environments.



# KEY FEATURES



## Retractable Foot Tray

During oncology treatments, patients remain seated for long hours. A foot tray supports the feet, reduces pressure on the legs, and promotes a more ergonomic sitting posture, improving overall patient comfort.

## Phthalate-Free Upholstery

Phthalate-Free Upholstery offers a safer, hospital-grade surface that resists stains, disinfectants, and abrasion, ensuring hygienic, durable, and eco-friendly performance across demanding clinical environments.

## Comfortable Seating

Engineered with a 155 mm mixed-layer foam cushion that delivers superior pressure distribution and lasting comfort, even during prolonged treatment sessions like phlebotomy or infusion.

## Detachable Side Armrests

The detachable side improves accessibility, safety, and transfer ease for patients with limited mobility. It allows one side of the recliner to open, enabling patients to sit from the side without climbing over the leg rest.



Cream



Beige



Brown



Mouse Grey

## FEATURES

Armrests	Detachable Side Armrest for easy entry and exit from the chair
Footrest	Retractable Foot Tray
Castors	Smooth mobility with 3" lockable caster wheels
Foam Cushion	155 mm mixed layer of foams for comfortable seating

## TECHNICAL SPECIFICATIONS

Length	1770 mm / 69.6 in
Width	775 mm / 30.5 in
Height	1210 mm / 47.6 in

## ACCESSORIES

Stainless Steel IV pole Stand
Foldable Food Tray

## ELECTRICAL PARAMETERS

Power in (Mains Power Supply)	100–240V, 50–60Hz 1.5A
IPX Rating	IPX6
Operating Temperature	10–40°C
Shock Protection:	Class I

## BASE & FRAME

Frame Structure	Mild steel construction powder coated frame & ABS molded parts
Base	Powder coated metal frame
Safe Working Load	180 kgs

## SAFETY STANDARDS

General safety for medical electrical equipment	IEC 60601-1 (Underprocess)
EMI/EMC	IEC 60601-2 (Underprocess)

## UPHOLSTERY

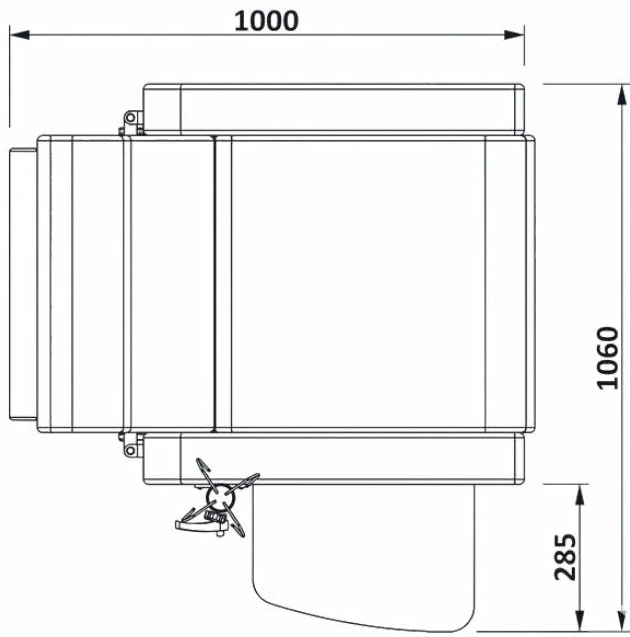
Type	Phthalate-Free Upholstery
Thickness	1.01 mm
Tensile Strength	ISO 1421, 804 N/ 5 cm
Colour Options	Cream, Beige, Brown, Mouse Grey
Weight	732 g / sqmt
Abrasion	ISO 5470-2 = 2,00,000 cycles / min

## WARRANTY

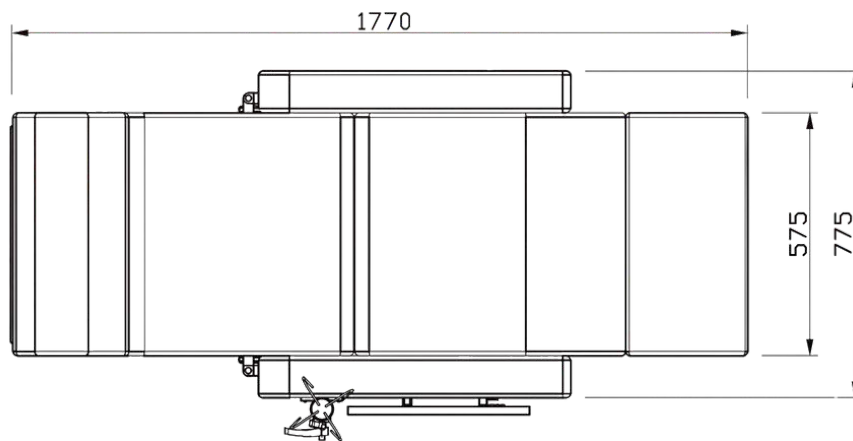
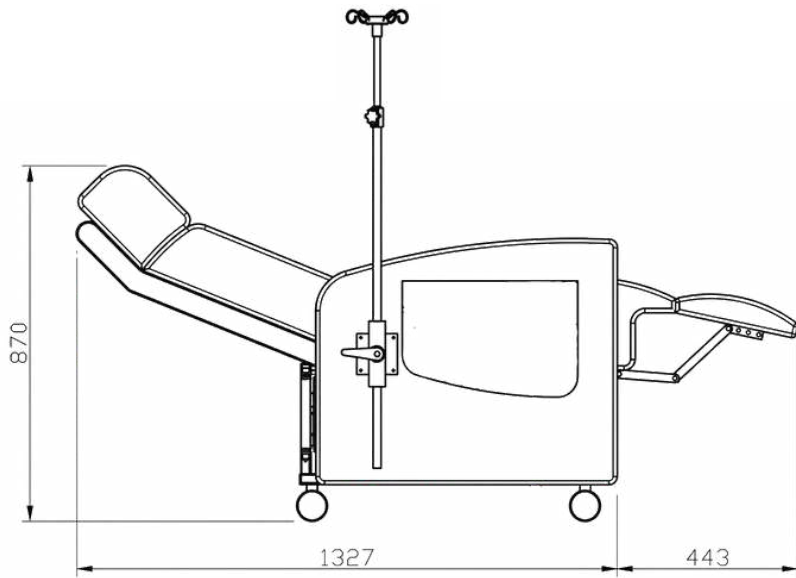
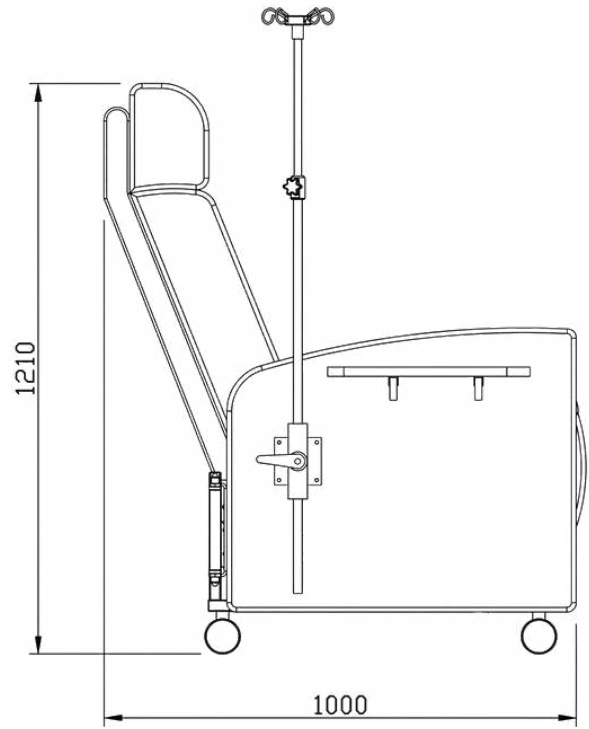
1 years on motors
-------------------



# TECHNICAL DRAWINGS



TOP VIEW



SIDE VIEW

ALL DIMENSIONS ARE IN MM