

Powered by three robust motors, offers seamless adjustment of height, backrest and pelvis inclination for precise patient positioning. Crafted with patient comfort in mind, every detail, from the seat cushion to the footrests and headrest, ensures maximum comfort throughout the examination.

**3
MOTORS**



KEY FEATURES



Pelvic Tilt Feature

The pelvic tilt feature gently elevates and angles the patient's pelvis for optimal positioning during gynaecological examinations. It improves clinical access, visibility, patient positioning, and examination accuracy while ensuring proper anatomical alignment and comfort.

Phthalate-Free Upholstery

Phthalate-Free Upholstery offers a safer, hospital-grade surface that resists stains, disinfectants, and abrasion, ensuring hygienic, durable, and eco-friendly performance across demanding clinical environments.



Cream

Beige

Brown

Mouse Grey

LED Light

The detachable, touch-operated LED light provides bright, focused illumination for gynaecological examinations. Easily adjustable and removable, it enhances visibility, accuracy, and procedural efficiency while allowing hygienic operation, flexible positioning, and easy cleaning or maintenance.

Foot Controller

The foot control on a gynaecology chair allows hands-free, hygienic adjustments, enhancing workflow efficiency. It enables precise, quick chair positioning, reduces clinician strain, and maintains focus on patient care, offering convenience over handheld controllers.

FEATURES

Armrests	Detachable and Adjustable, with forward / backward movement
Backrest	Electronically Adjustable
Height	Electronically Adjustable
Pelvis Inclination	Electronically Adjustable
Foot-Controller	For Hands-free and Hygienic adjustments

TECHNICAL SPECIFICATIONS

Length	1880 mm
Width	630 mm
Minimum Height	630 mm (measured from seat to floor)
Maximum Height	850 mm (measured from seat to floor)
Overall Height in Chair Position	1580 mm
Tilt Angle	20°

ACCESSORIES

Detachable Examination Light
Lithotomy Support

ELECTRICAL PARAMETERS

Power in (Mains Power Supply)	100-240 V, 50-60 HZ, 1.5A
IPX Rating	IPX6
Operating Temperature	10-40°C
Shock Protection:	Class I

BASE & FRAME

Base	Powder-coated mild steel frame
Safe Working Load	200 kgs
Patient Load Bearing capacity	150 kgs

SAFETY STANDARDS

General safety for medical electrical equipment	IEC 60601-1
EMI/EMC	IEC 60601-2

UPHOLSTERY

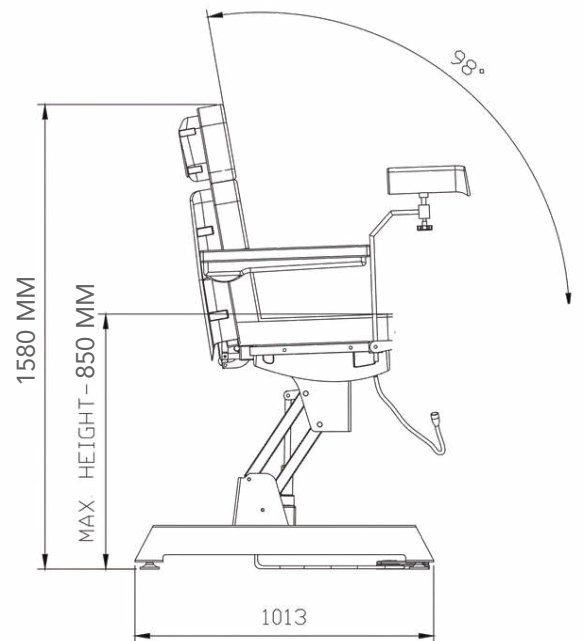
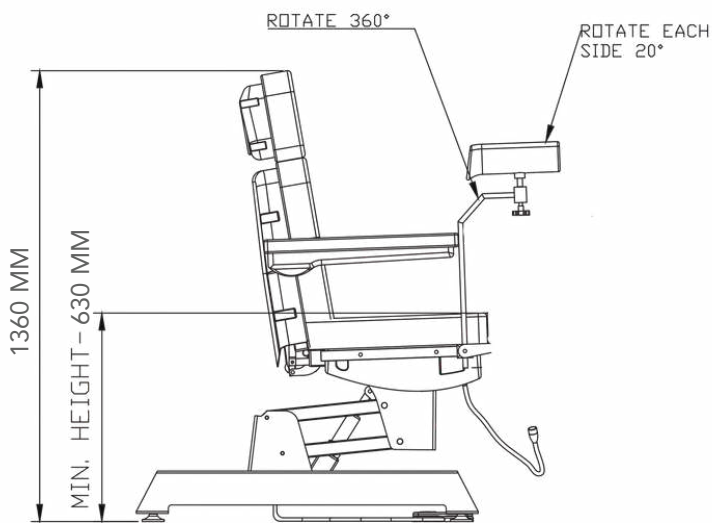
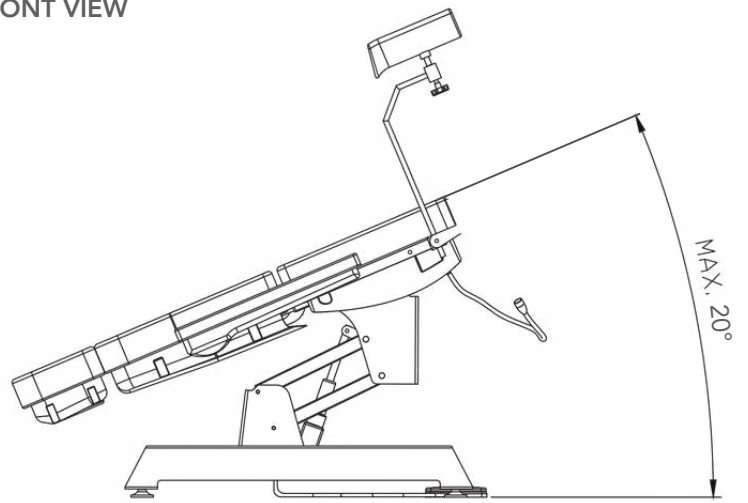
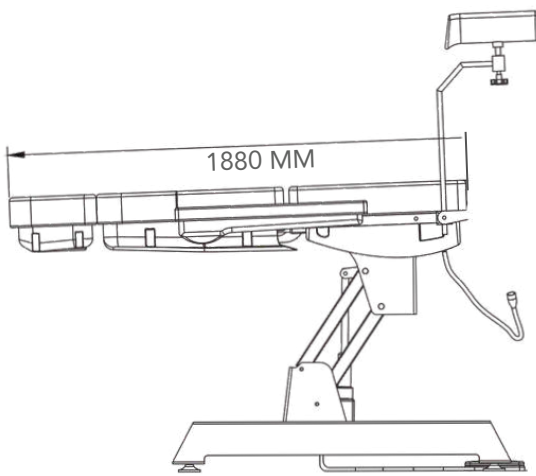
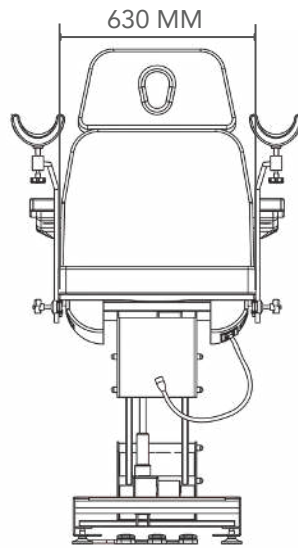
Type	Phthalate-Free Upholstery
Thickness	1.01 mm
Tensile Strength	ISO 1421, 804 N/ 5 cm
Colour Options	Cream, Beige, Brown, Mouse Grey
Weight	732 g / sqmt
Abrasion	ISO 5470-2 = 2,00,000 cycles / min

WARRANTY

3 years on motors



TECHNICAL DRAWINGS



ALL DIMENSIONS ARE IN MM