

The Esthetica Dialysis Chair is designed to provide dependable comfort, safety, and support for patients during long haemodialysis sessions while ensuring smooth and reliable operation in clinical environments. With ergonomic positioning, robust construction, and user-friendly controls, it supports efficient clinical workflows while maintaining optimal patient comfort throughout treatment.

**4
MOTORS**



KEY FEATURES



Electronic Footrest Adjustment

Allowing nursing staff to position patients easily with the push of a button. This eliminates the need for manual force required in conventional chairs, reducing physical strain on caregivers and enabling faster, smoother adjustments during treatment.

Two Pre-Set Positions & Quick Release Function

End of Treatment and Trendelenburg and a quick-release backrest enable medical staff to rapidly adjust the chair according to clinical needs, improving workflow efficiency and ensuring patient safety during procedures or emergencies.

Lifting Column

A 3-segment lifting column provides greater height adjustment, improved stability, and smoother, quieter motion than a linear actuator. Its telescopic design saves space while offering higher lifting capacity and better static and bending load performance.

Phthalate-Free Upholstery

Phthalate-Free Upholstery is designed for hospital environments, offering a safer surface for patients and healthcare workers. It resists stains and disinfectants, withstands frequent cleaning, and ensures durable, fire- and abrasion-resistant performance.



End Of Treatment



CPR



Cream



Beige



Brown



Mouse Grey

FEATURES

Armrests
Backrest
Legrest
Foot Rest
Height
Trendelenburg
Castors

Memory Positions

Adjustable Armrest with Back & Forth and Up - Down Movements
Electronically Adjustable
Electronically Adjustable
Electronically Adjustable
Electronically Adjustable
Integrated with Legrest
100 mm high grade synthetic, single wheel castos, four with brakes



End of Treatment



CPR

TECHNICAL SPECIFICATIONS

In Flat Bed Position:

Length 1890 mm / 74.4 in
Width without side armrests 560 mm / 22 in
Width with side armrests 830 mm / 32.67 in
Minimum height 550 mm / 21.65 in
Maximum height 850 mm / 33.46 in

ELECTRICAL PARAMETERS

Power in (Mains Power Supply) 100–240V, 50–60Hz 1.5A
IPX Rating IPX6
Operating Temperature 10–40°C
Shock Protection: Class I

ADD-ON ACCESSORIES

Stainless steel IV stand
ABS food tray
IPad/Mobile Stand — Adjustable height and angle, positionable on either side
Dual power socket panel for charging laptops, tablets, and phones

BASE & FRAME

Base Powder-coated mild steel frame
Safe Working Load 150 kgs
Patient Load Bearing capacity 135 kgs

SAFETY STANDARDS

General safety for medical electrical equipment IEC 60601-1
EMI/EMC IEC 60601-2

UPHOLSTERY

Type Veridura Phthalate-Free Upholstery
Thickness 1 mm
Tensile Strength ISO 1421, 869.22 N/ 5 cm
Colour Options Cream, Beige, Brown, Mouse Grey
Weight 726.7 g / sqmt
Abrasion ISO 5470-2 = 2,00,000 cycles / min

Features :



Phthalate-Free



Fire Retardant



Oil Resistant



Alcohol Resistant



Ultra Soft



Stain Resistant



Anti Bacterial



Eco-Friendly

WARRANTY

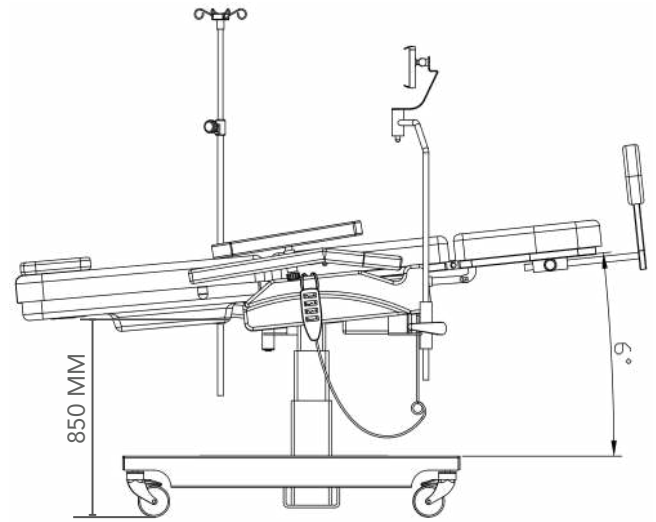
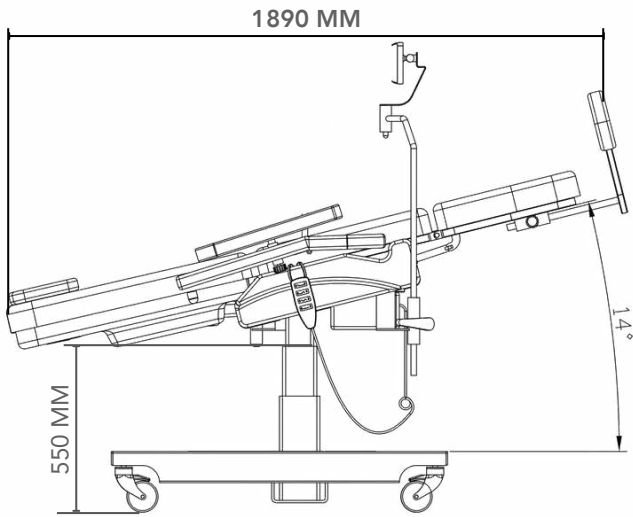
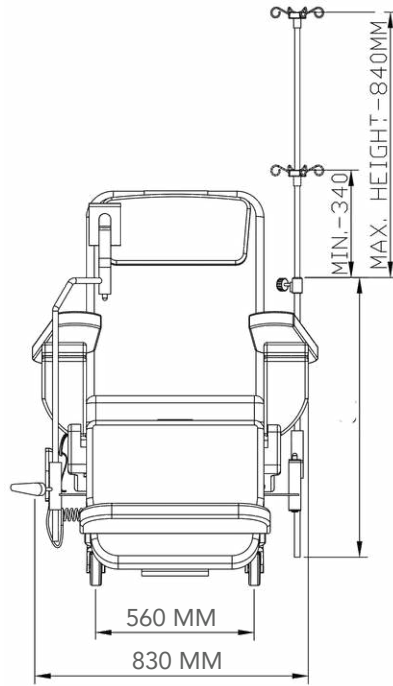
3 years on motors



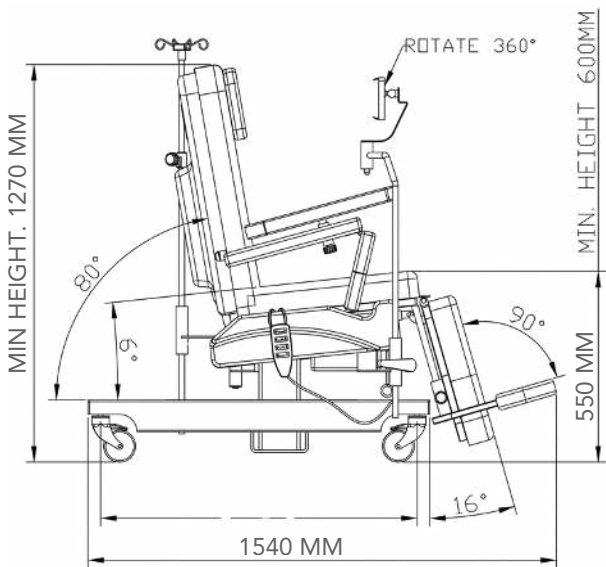
HANDSET

TECHNICAL DRAWINGS

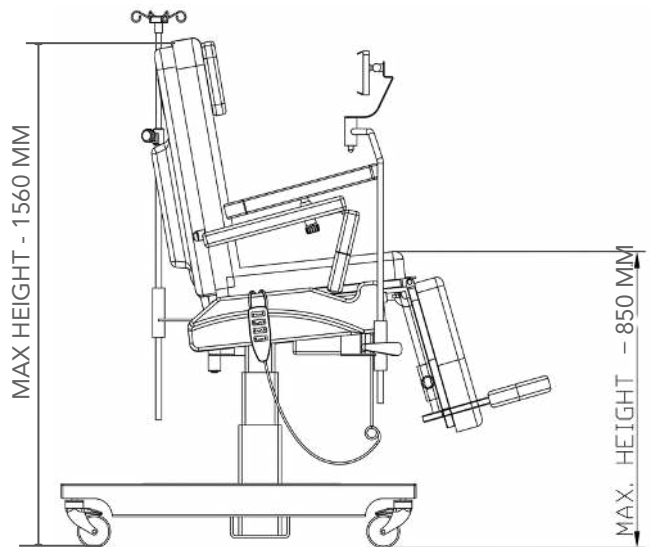
FORNT VIEW



IN FLAT BED POSITION



MINIMUM HEIGHT



MAXIMUM HEIGHT

ALL DIMENSIONS ARE IN MM