

# ARCA

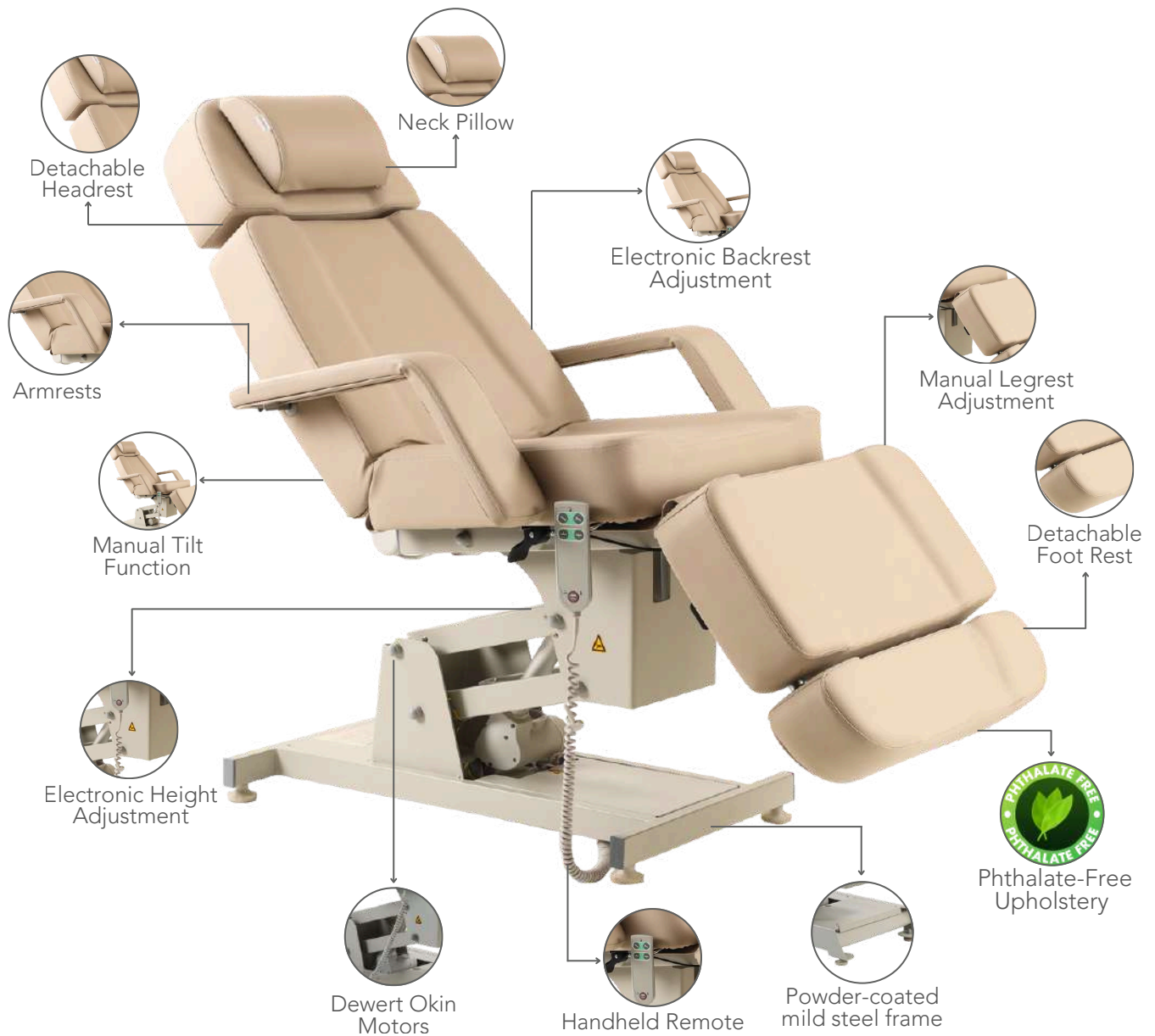
## DERMATOLOGY CHAIR

### TWO MOTORS, FOUR FUNCTIONS

The Arca is Esthetica Medical's electronic dermatology chair — designed to support advanced skin treatments, aesthetic procedures, and extended clinical consultations. Two quiet motors provide seamless electronic adjustment of height and backrest, while a manually adjustable legrest and tilt function add the versatility required across a wide range of dermatology and aesthetic treatment protocols. The ergonomic tilt feature reduces patient strain during extended sessions, and a handheld remote allows practitioners precise, effortless positional control throughout. A detachable headrest with nose slot and armrests complete a chair that is as considered in its clinical functionality as it is in its build — making it a practical, cost-effective solution for modern dermatology clinics and aesthetic centres.



# KEY FEATURES



## Electronic Height & Backrest Adjustment

Two quiet motors drive independent electronic height and backrest adjustment — giving practitioners smooth, precise control over patient positioning across every treatment from initial consultation to extended procedures.

## Phthalate-Free Upholstery

The Arca is upholstered in phthalate-free fabric designed for clinical environments — safe, durable, and built for the demands of daily professional use, with antibacterial, fire retardant, and stain resistant properties as standard.

## Manual Legrest & Tilt Function

The manually adjustable legrest provides flexible lower body positioning, while the manual tilt function allows the chair surface to be angled — reducing patient strain during long sessions and supporting a wider range of clinical treatment protocols.

## Handheld Remote Control

A dedicated handheld remote puts complete positional control at the practitioner's fingertips — allowing precise, effortless adjustments without interrupting the treatment or requiring the patient to reposition manually.



Cream

Beige

Brown

Mouse Grey

## FEATURES

Backrest	Electronically Adjustable
Headrest	Detachable Headrest with Nose Slot
Legrest	Manually Adjustable
Foot Rest	Detachable Foot Rest
Height	Electronically Adjustable
Tilt	Manually Adjustable
Foam Cushion	75 mm mixed layer for comfortable seating

## TECHNICAL SPECIFICATIONS

Length	1880 mm / 74 in
Width	630 mm / 24.8 in
Minimum height	615 mm / 24.2 in
Maximum height	1565 mm / 61.6 in

## ELECTRICAL PARAMETERS

Power in (Mains Power Supply)	100-240 V, 50-60HZ, 1.5 A
IPX Rating	IPX 6
Operating Temperature	10-40°C
Shock Protection	Class I

## BASE & FRAME

Base	Powder-coated mild steel frame
Safe Working Load	180 kgs
Patient Load Bearing capacity	150 kgs

## SAFETY STANDARDS

General safety for medical electrical equipment	IEC 60601-1
EMI/EMC	IEC 60601-2

## UPHOLSTERY

Type	Phthalate-Free Upholstery
Thickness	1.01 mm
Tensile Strength	ISO 1421, 804 N/ 5 cm
Colour Options	Cream, Beige, Brown, Mouse Grey
Weight	732 g / sqmt
Abrasion	ISO 5470-2 = 2,00,000 cycles / min

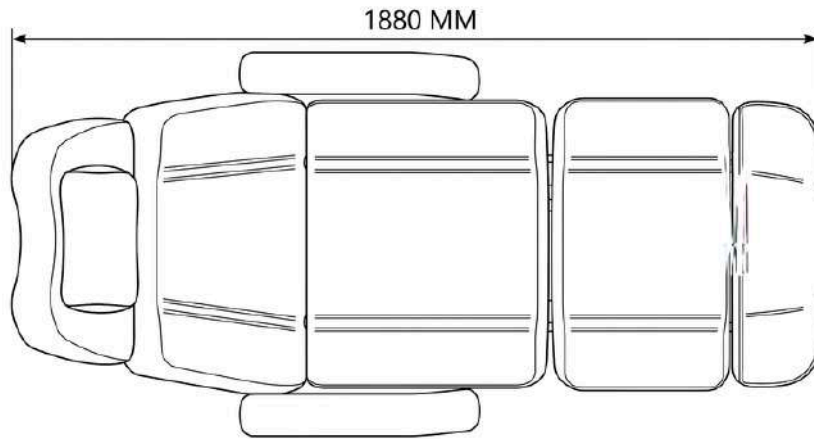
## WARRANTY

3 years on motors



HANDSET

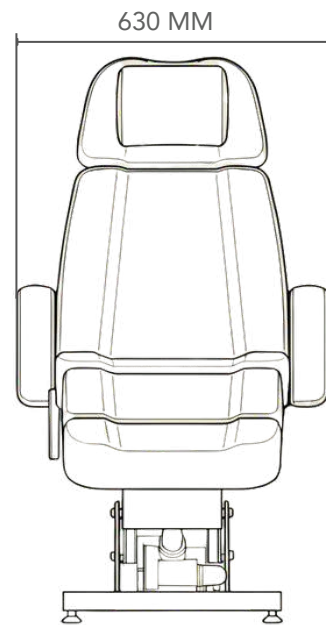
# TECHNICAL DRAWINGS



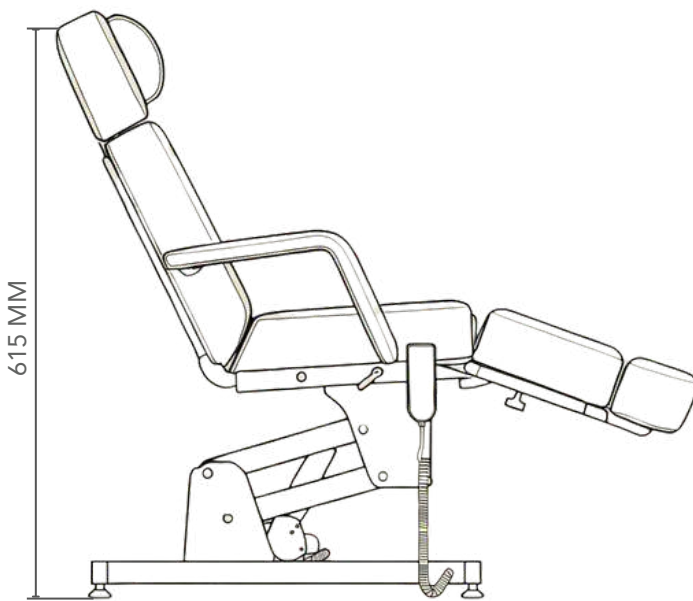
TOP VIEW



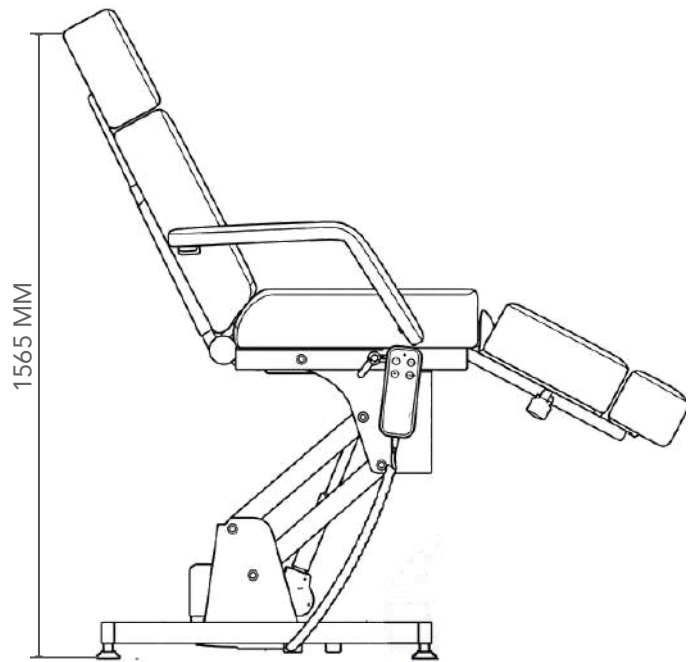
ISOMETRIC VIEW



FRONT VIEW



MINIMUM HEIGHT



MAXIMUM HEIGHT

ALL DIMENSIONS ARE IN MM