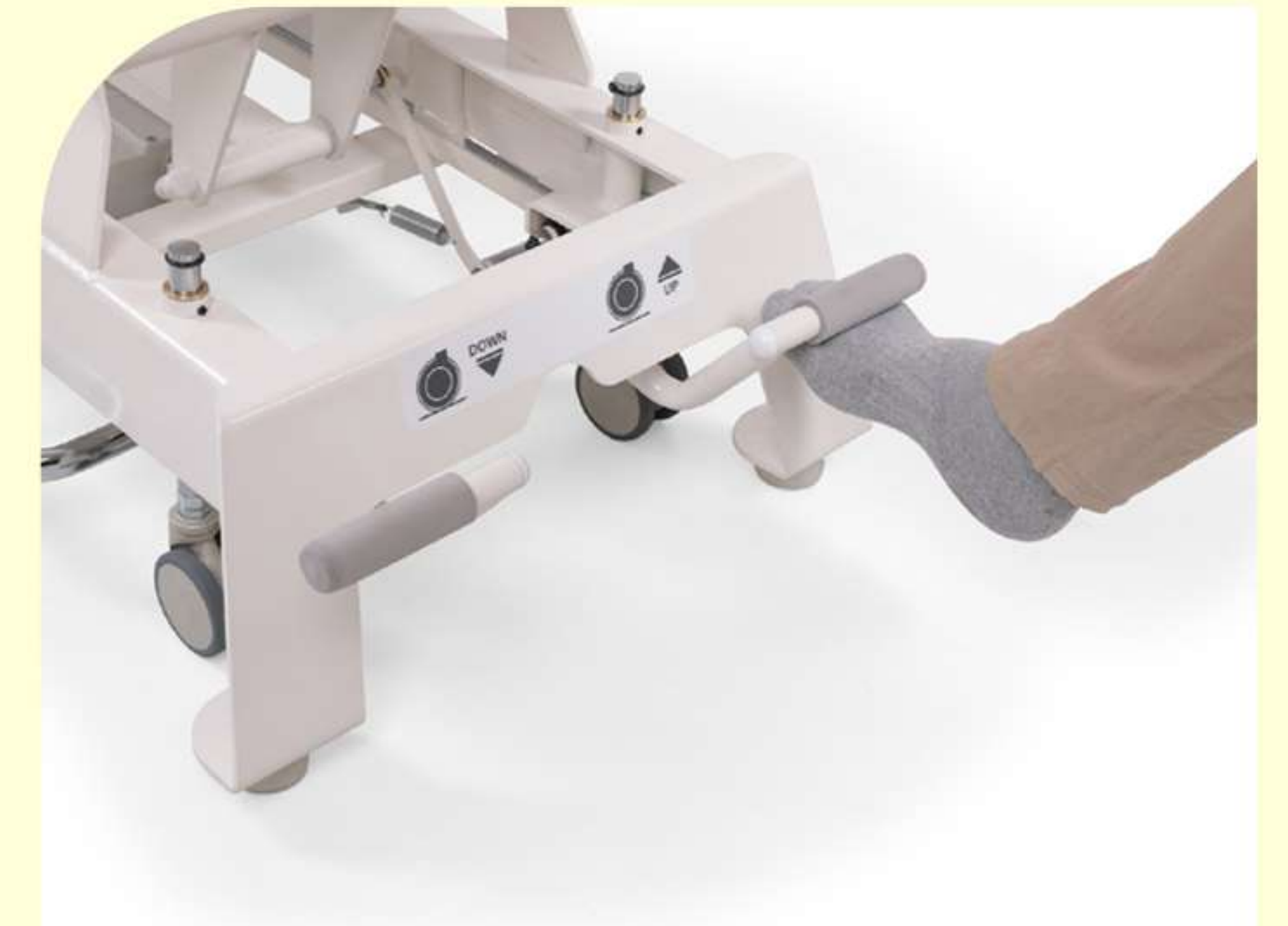




Flat Top Medical Treatment Table



OPTIONAL



Easy Mobility



Walk free switch

OJAS is a flat top medical treatment table that can be used for general examination and massage treatments. The height can be electronically adjusted through a linear actuator from Linak DENMARK. This table is supplied with an external, detachable & adjustable, face cradle that can be fitted on both sides of the table. The treatment table has a strong powder coated metal base and top mattress is 40 density cushion upholstered with soft to touch premium leatherette.

TOP:

Top Design	Flat Top with adjustable face cradle attachment
Top Cushion Measurements	1995 x 750 mm
Foam	50 mm thick 40 Density Foam
Upholstery	PVC Coated Fabric
Frame	Mild Steel Construction Powder Coated Frame
Adjustment (Back Rest)	Flat Top Design
Adjustment (Height)	Electronic (Linak Motor)

BASE & FRAME:

Base	Powder Coated Metal Frame
Minimum Height	530 mm
Maximum Height	890 mm
Lifting Capacity	Upto 360 Kgs

UPHOLSTERY:

Type	Flame/UV/Abrasion Resistant 1.2 mm Coated Fabric
Available Colour Options	25 colour options
Weight	660 gsm + 5%
Abrasion	EN ISO 5470=2, 25000 Cycles

ACCESSORIES:

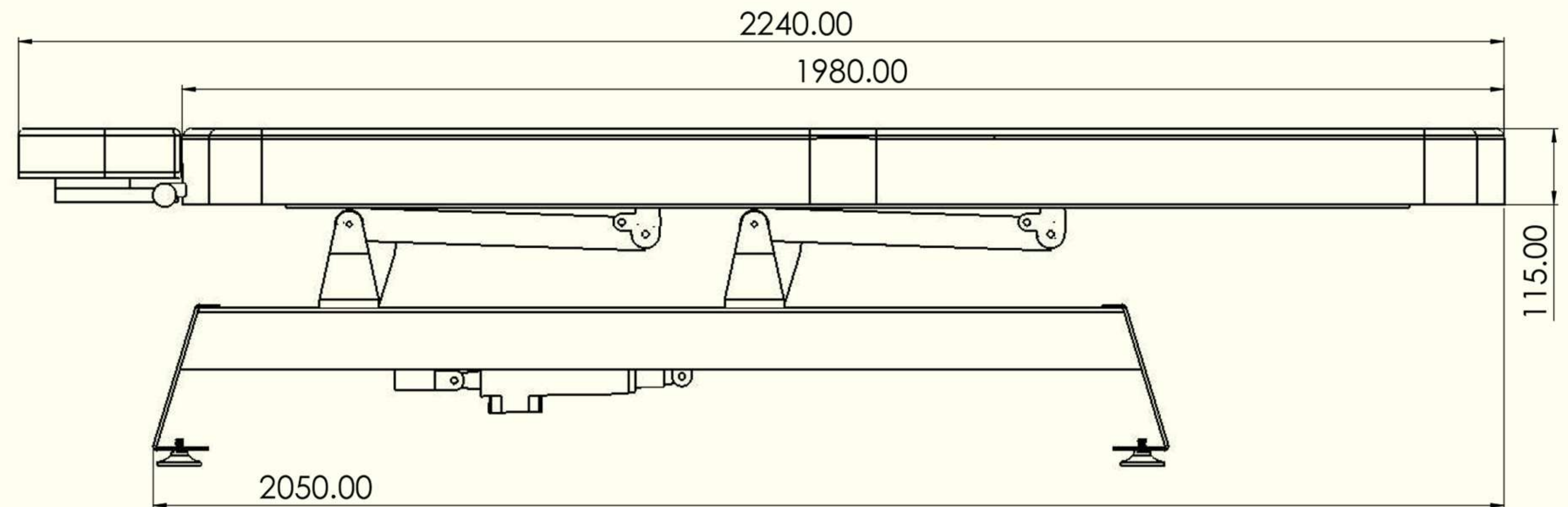
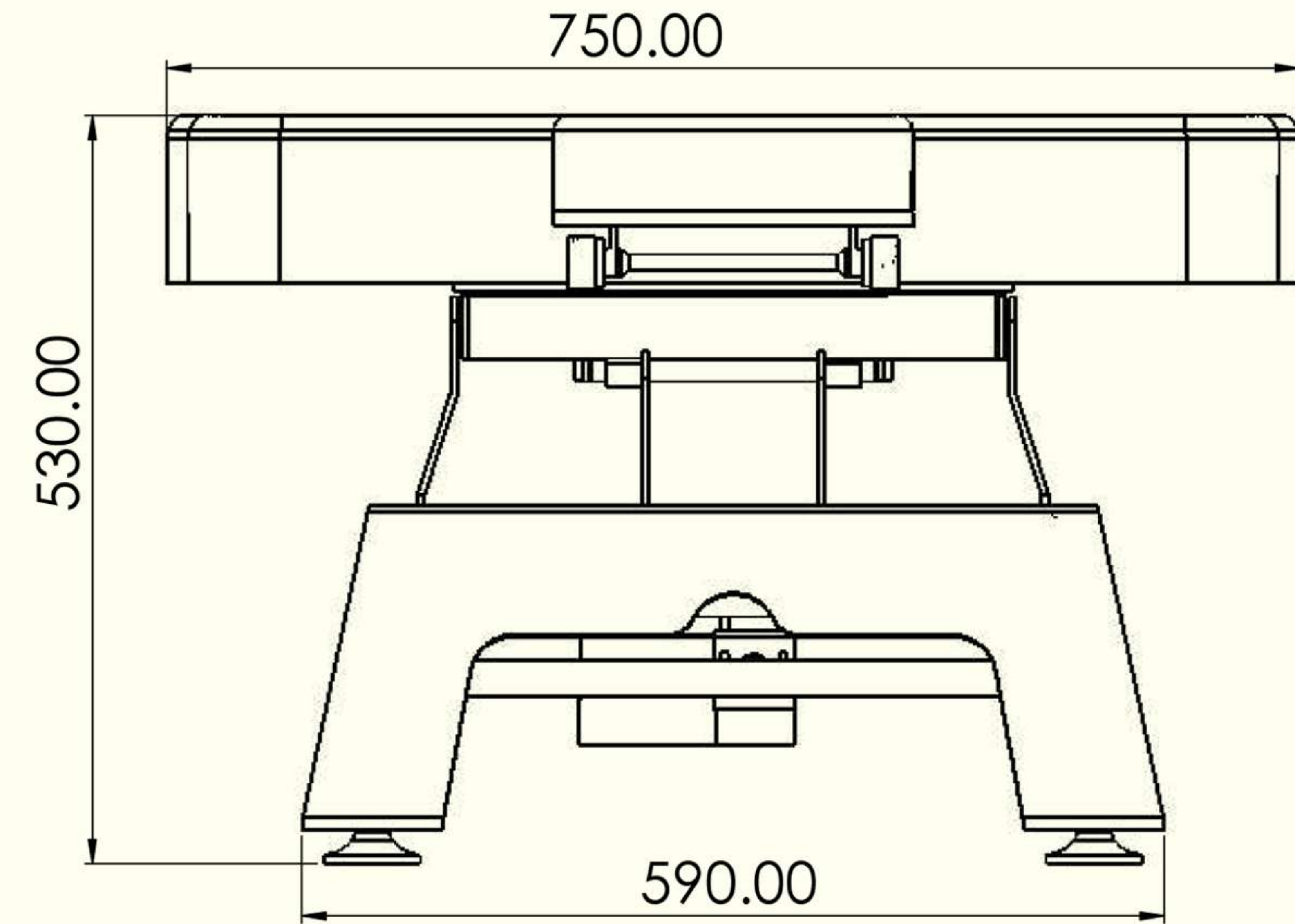
Detachable External Face Cradle

GUARANTEES:

Structure	1 year
Electronic Motors & Controls	3 years

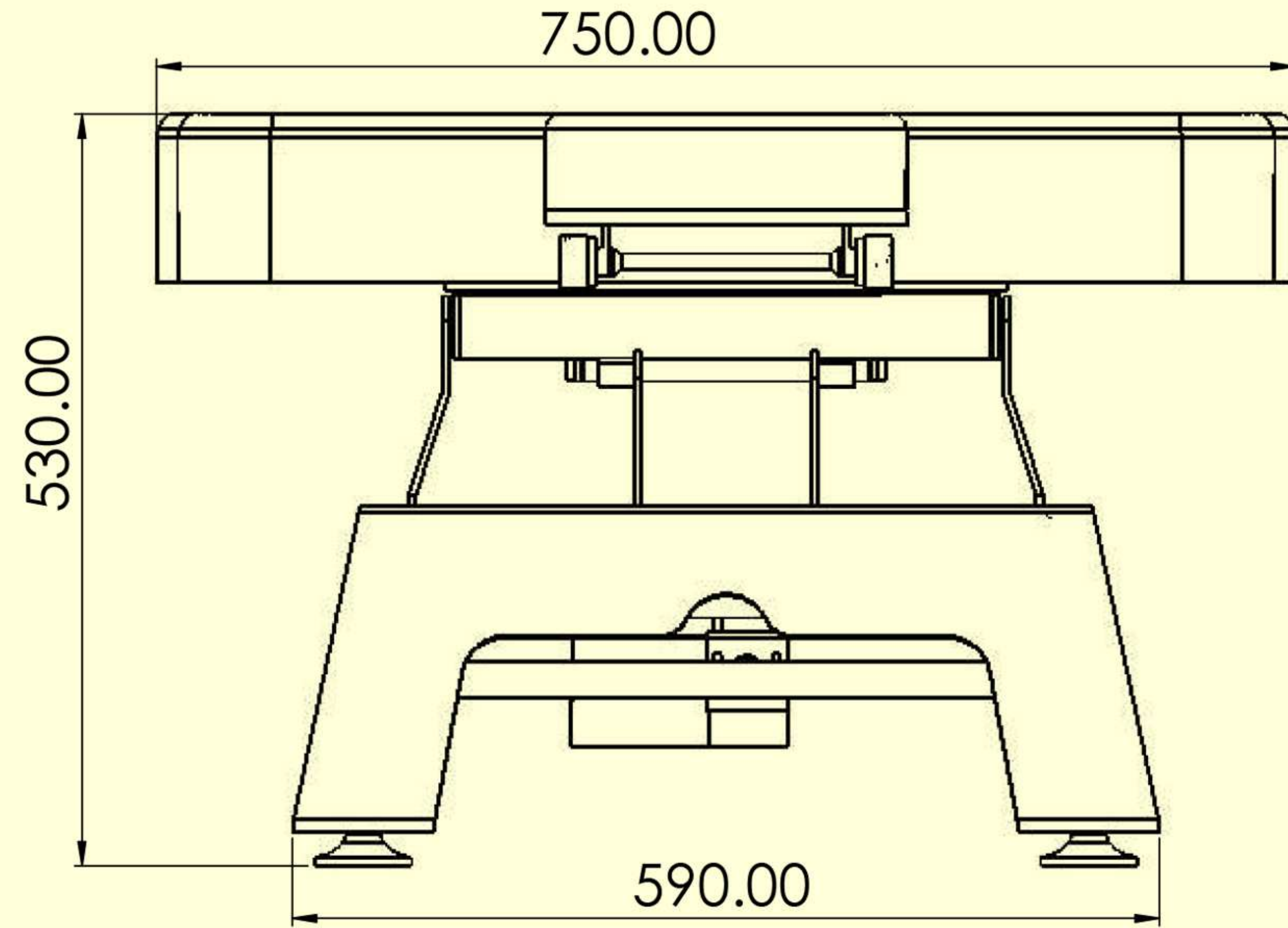
WEIGHTS:

Table Weight	84kgs
Shipping Weight	135kgs

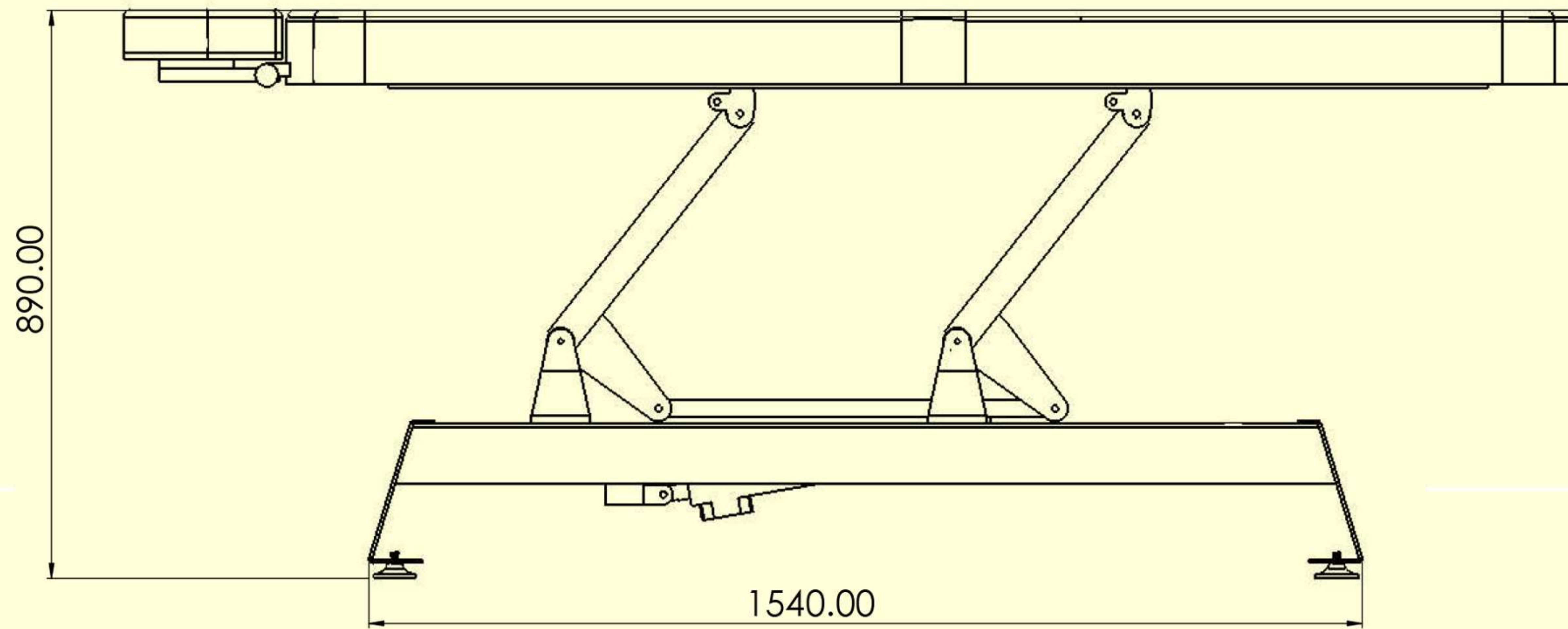


All dimensions are in mm

MINIMUM HEIGHT



MAXIMUM HEIGHT



All dimensions are in mm