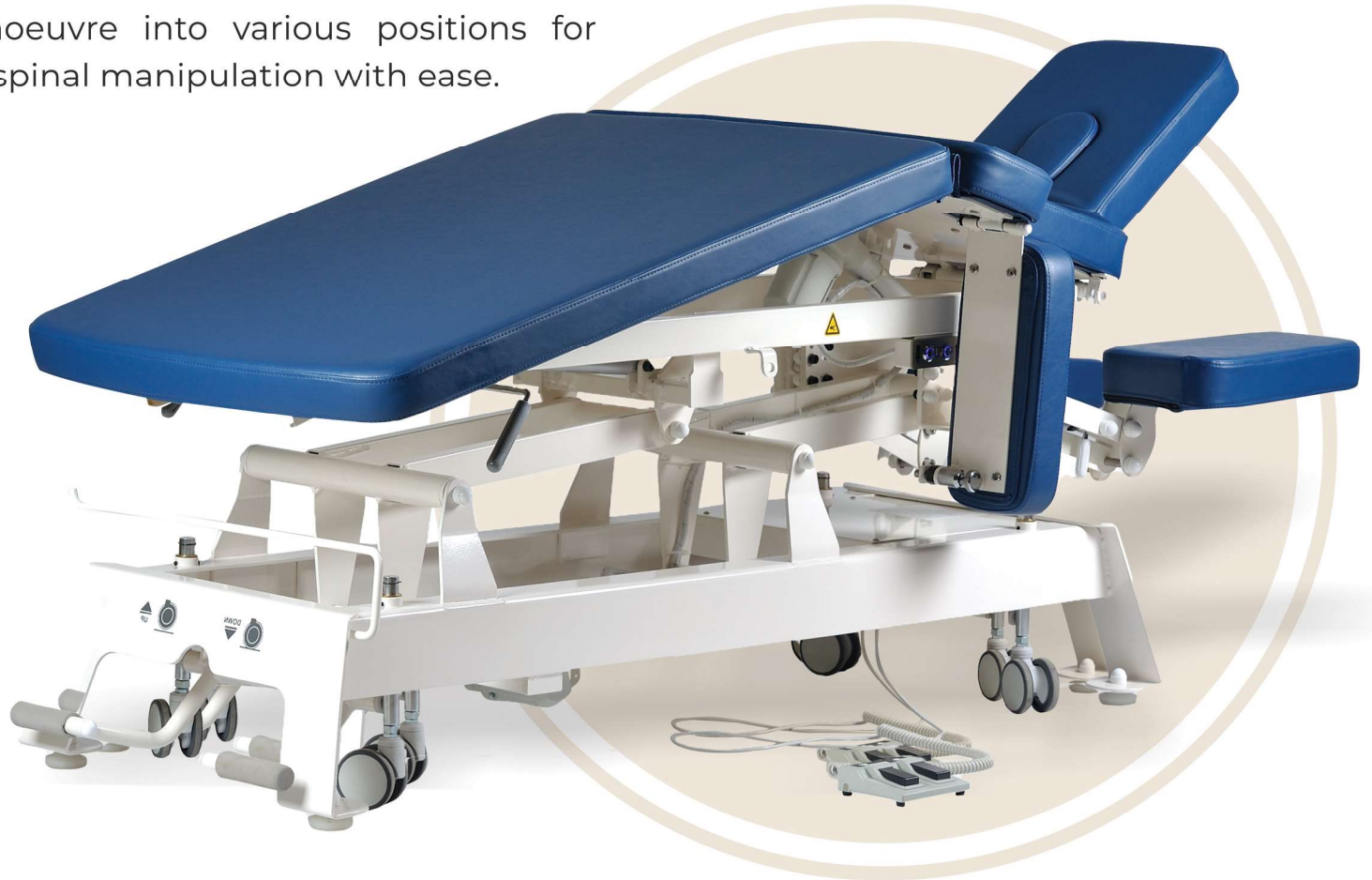


MAHIT CHIROPRACTIC TABLE

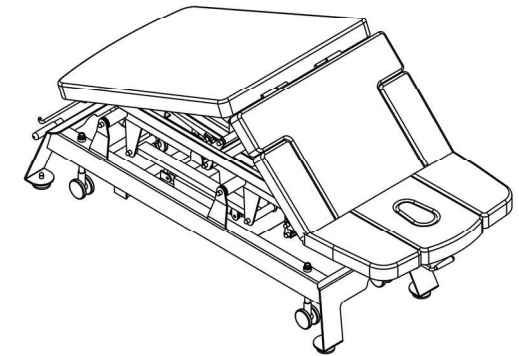
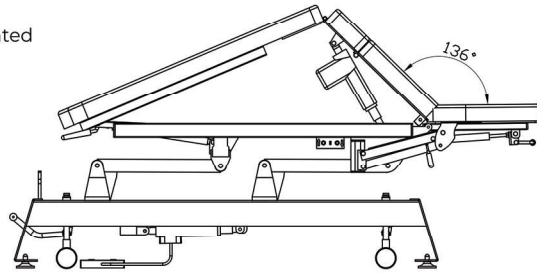
Crafted with precision, this 7-section treatment table offers comprehensive adjustments for the head, back, legs, and mid-section of the plinth. Its electrically powered mechanism allows seamless elevation, granting clinicians the flexibility to manoeuvre into various positions for postural drainage and spinal manipulation with ease.





TOP

Top Design	Seven Piece articulating top
Top Cushion Measurements	2020 x 760 mm
Foam	75 mm mixed layer for comfortable seating
Upholstery	PVC Coated Fabric
Frame	Mild Steel Construction Powder Coated Frame & ABS Molded Parts
Adjustment (Back Rest)	Manual (Gas Spring)
Adjustment (Neck Rest)	Manual (Gas Spring)
Adjustment (Upper Back Rest)	Manual (Gas Spring)
Adjustment (Height)	Electronic (Linak Motor)



BASE & FRAME

Base	Powder Coated Metal Frame
Height Minimum	530 mm
Height Maximum	1010 mm
Walk Free Switch	Enables you to operate the table from both sides
Lifting Capacity	Upto 220 kgs
Castor Wheels	For easy mobility in the treatment room

UPHOLSTERY

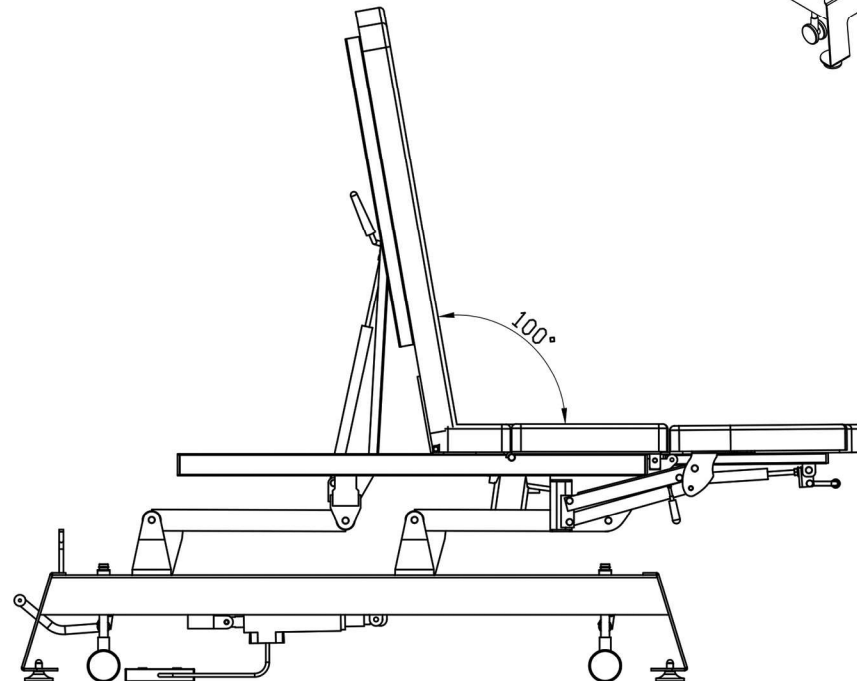
Type	Abrasion / Flame / UV Resistant 1.2mm coated fabric
Colour Options	25 colour options
Weight	660 gsm + 5%
Abrasion	EN ISO 5470+2 25000 Cycles

ACCESSORIES

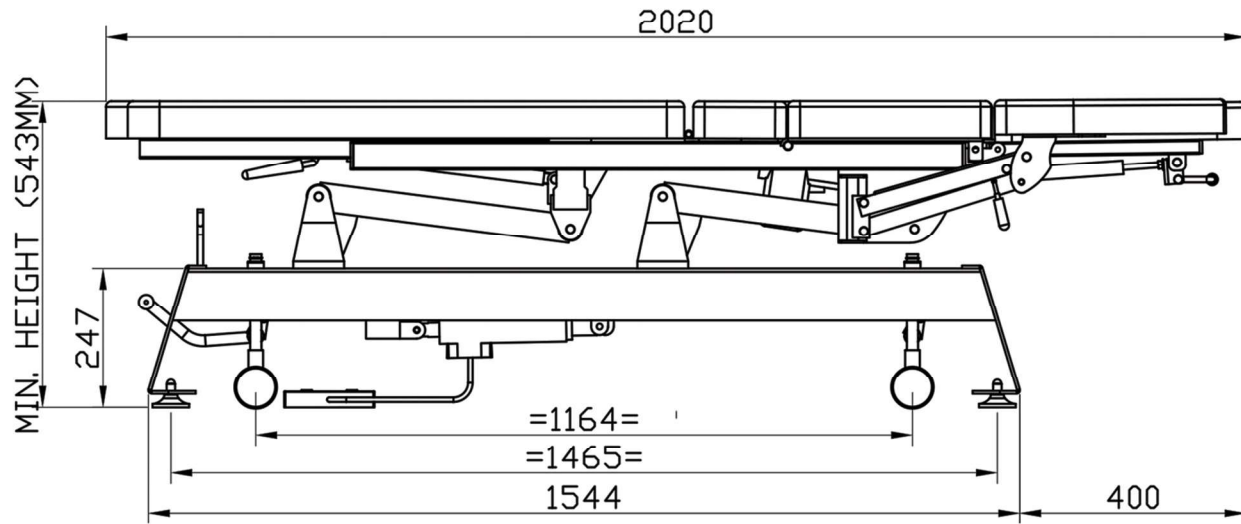
Available Colour Options	25 colour options
--------------------------	-------------------

GUARANTEES

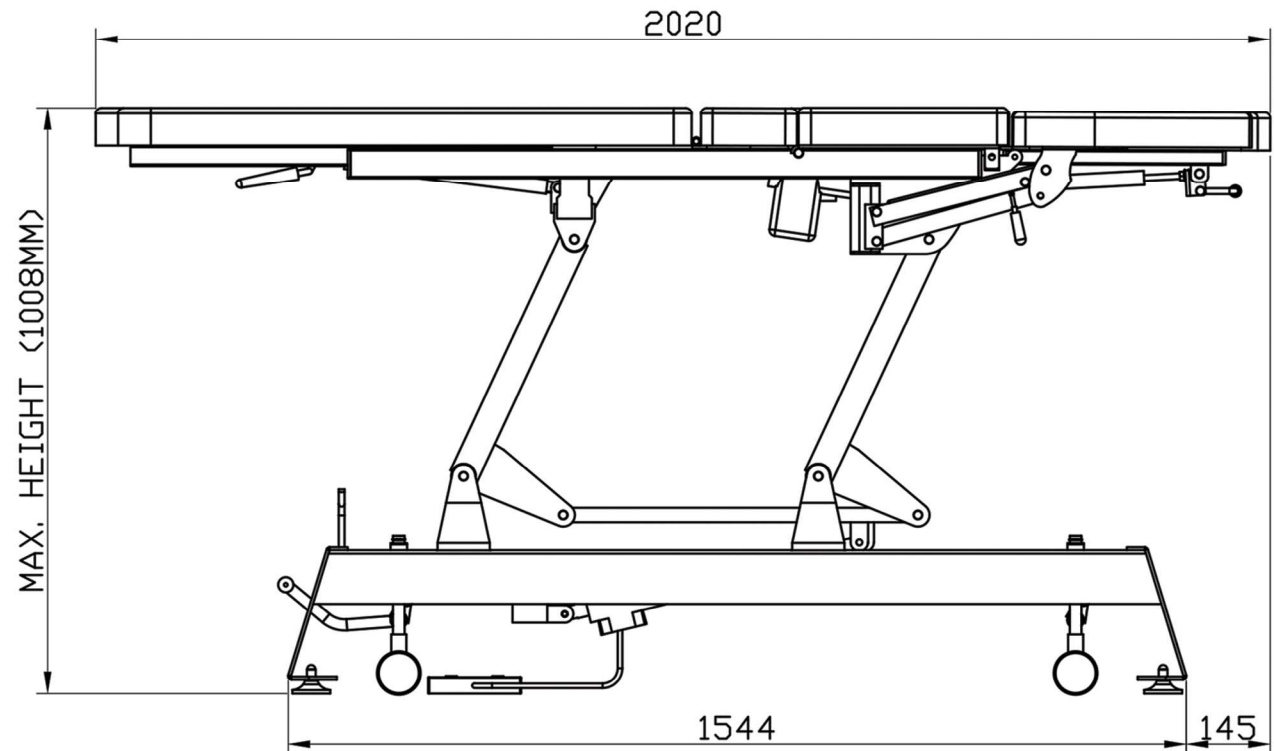
Structure	5 year against any manufacturing defects
Upholstery	1 year against any manufacturing defects
Motors	4 years on Linak Motors



All dimensions are in mm



MINIMUM HEIGHT



MAXIMUM HEIGHT

All dimensions are in mm