

BOBATH BED

Our Bobath Table features a sturdy 2-section design, prioritizing patient comfort and ease of use. The elongated backrest, outfitted with two premium gas springs, ensures effortless and comfortable positioning, facilitating optimal support during therapy sessions.



TOP

Top Design	Two Piece articulating top
Top Cushion Measurements	2030 x 1220 mm
Foam	75 mm mixed layer for comfortable seating
Upholstery	PVC Coated Fabric
Frame	Mild Steel Construction Powder Coated Frame & ABS Molded Parts
Adjustment (Back Rest)	Manually adjusted (Gas Spring)
Adjustment (Height)	Electronic

BASE & FRAME

Base	Powder Coated Metal Frame
Height Minimum	530 mm
Height Maximum	890 mm
Lifting Capacity	Upto 250 kgs
Walk Free Switch	Enables you to operate the table from both sides
Castor Wheels	For easy mobility in the treatment room

UPHOLSTERY

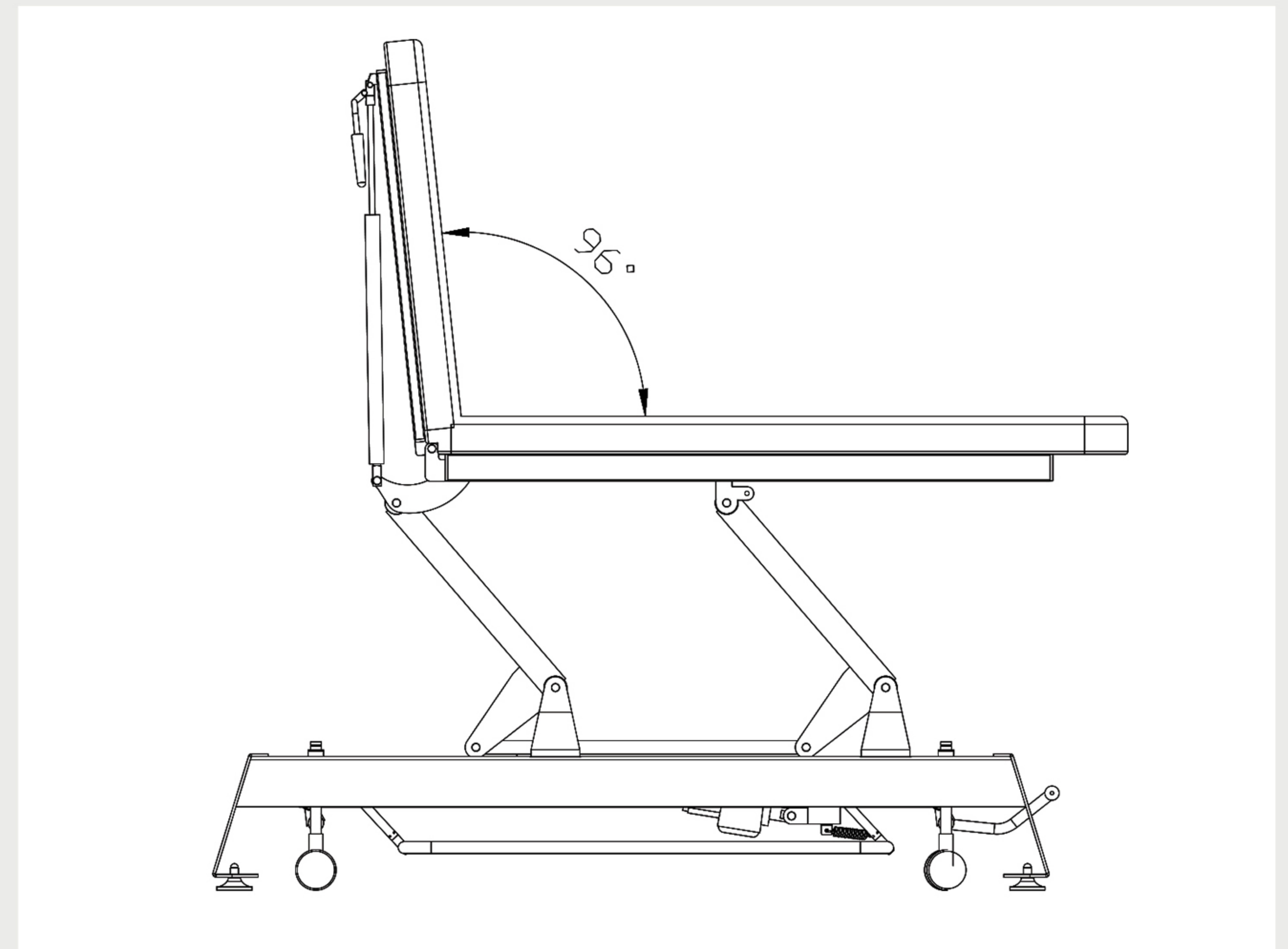
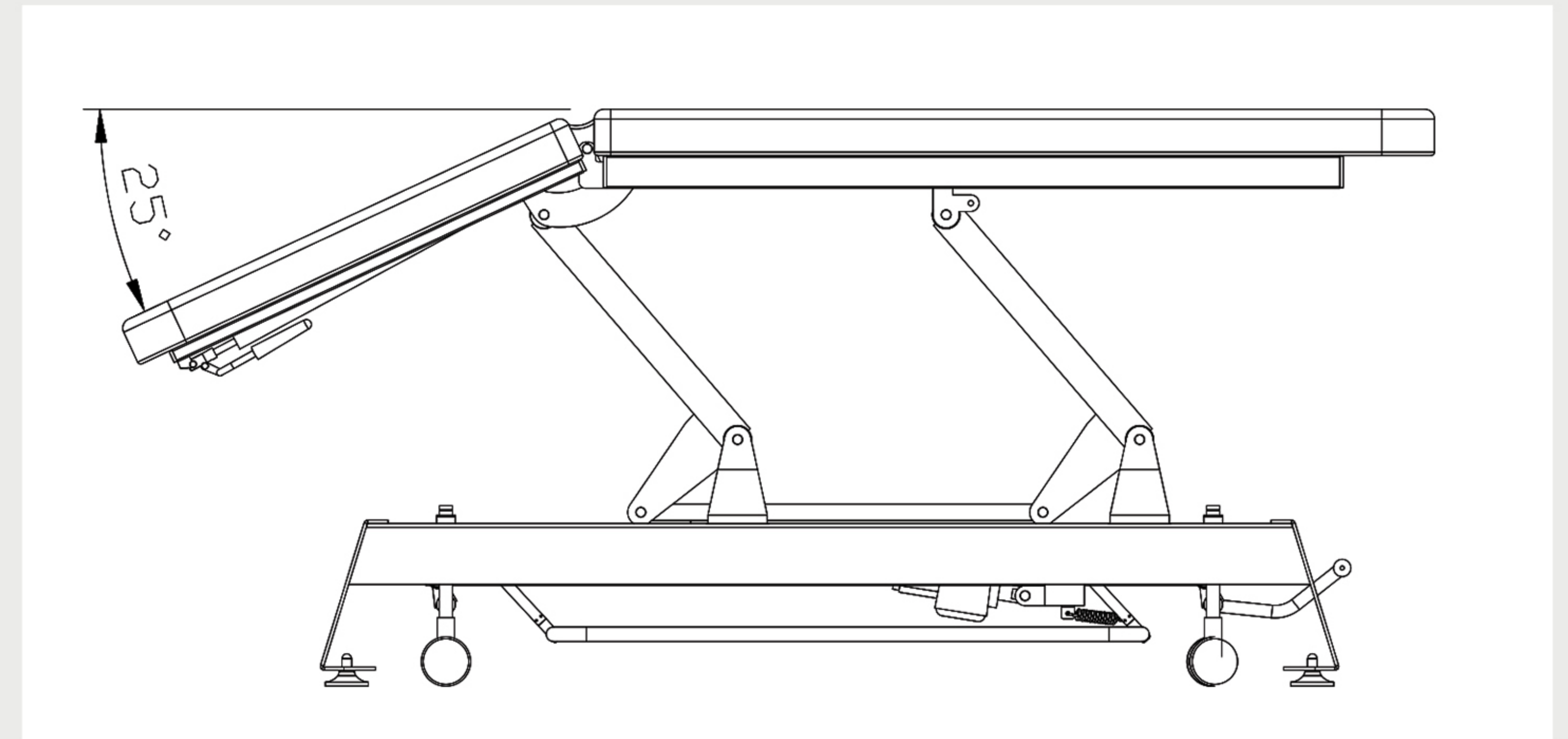
Type	Abrasion / Flame / UV Resistant 1.2mm coated fabric
Colour Options	25 colour options
Weight	660 gsm + 5%
Abrasion	EN ISO 5470+2 25000 Cycles

ACCESSORIES

Colour Options	25 colour options
----------------	-------------------

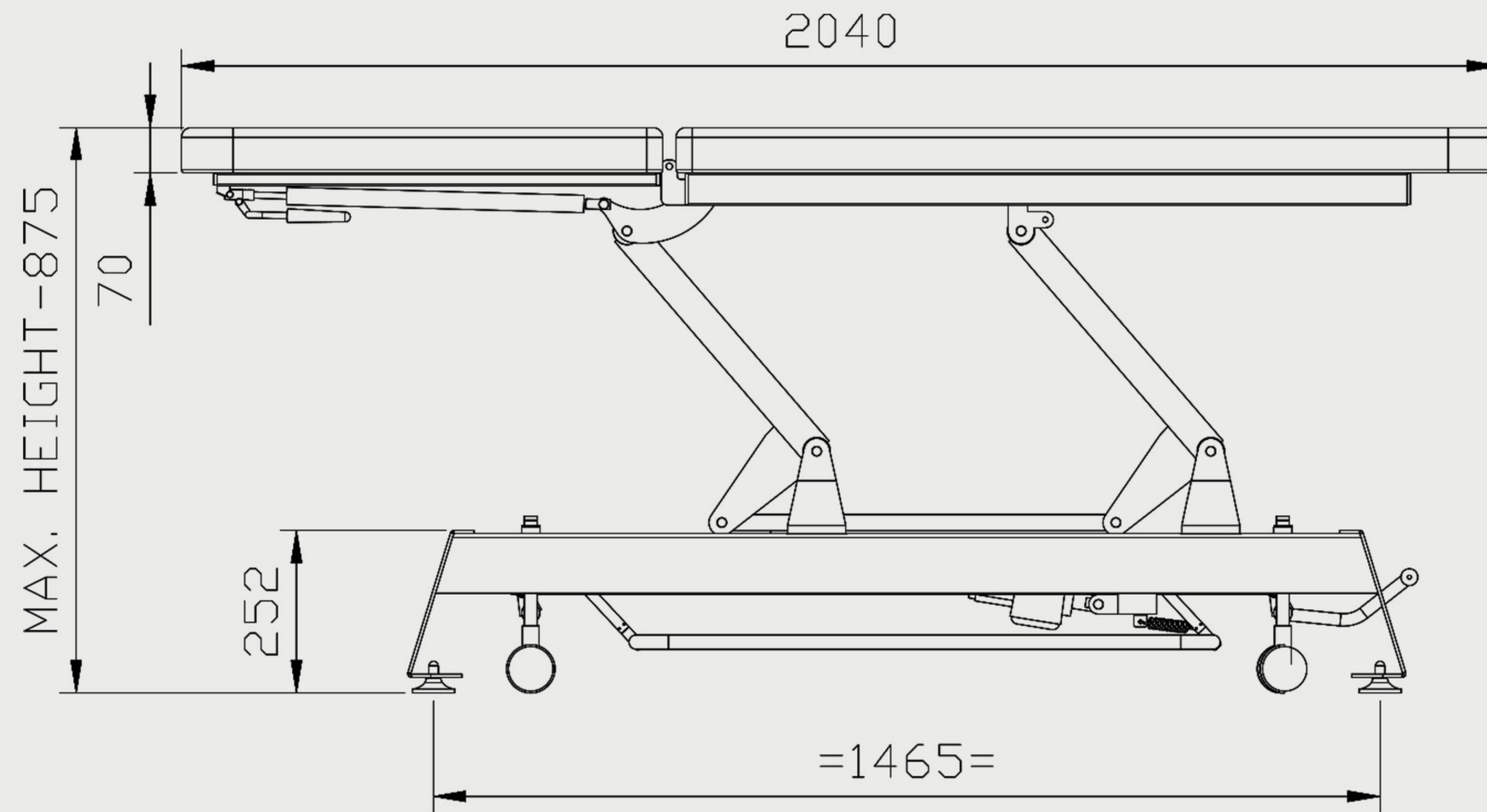
GUARANTEES

Structure	5 year against any manufacturing defects
Upholstery	1 year against any manufacturing defects
Motors	4 years on Linak Motors

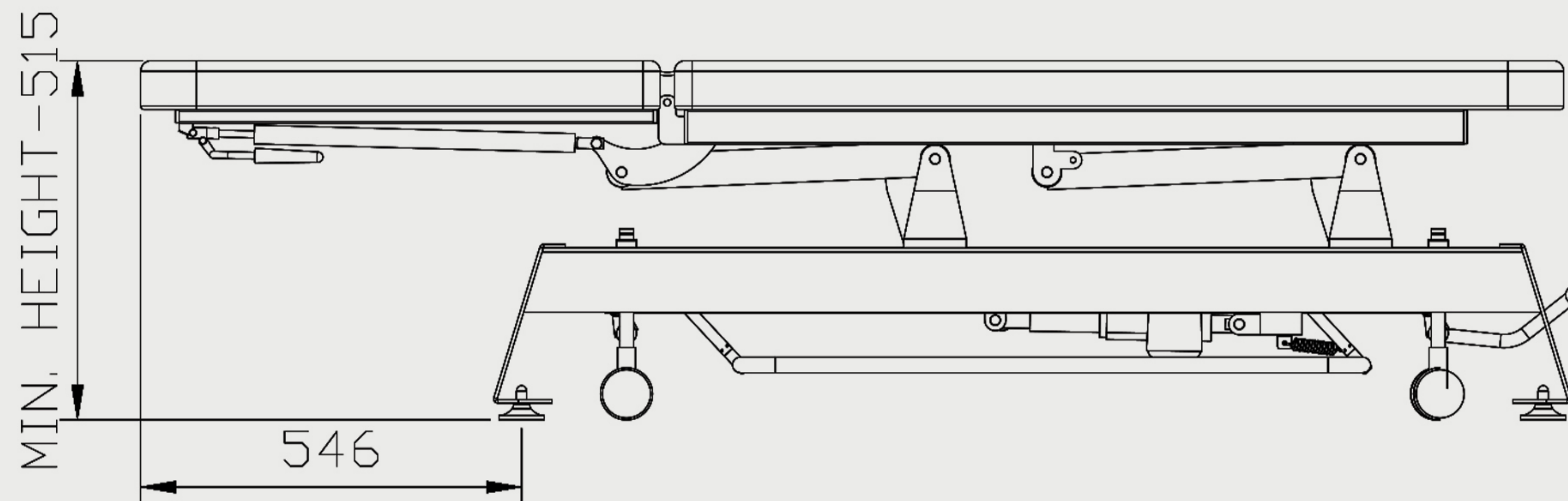


All dimensions are in mm

MAXIMUM HEIGHT



MINIMUM HEIGHT



All dimensions are in mm