

AESTHETIC BED



The Aesthetic Bed by Esthetica is a versatile and professional treatment bed, designed to meet the needs of modern skin clinics, laser centers, and advanced spas. Combining smooth electric adjustments with ergonomic comfort, it provides therapists with precision and clients with ease and relaxation. Crafted with a durable powder-coated steel frame and upholstered in soft, skin-friendly fabric, the Aesthetic Bed blends functionality with refined aesthetics.





DESIGN

Single piece top cushion with adjustable headrest and removable nose slot / head pillow

FOAM CUSHION

161 mm mixed layers of different densities for comfortable experience

FRAME STRUCTURE

Powder Coated Mild Steel frame
4 x Lockable castor wheels for easy mobility
Adjustable headrest -16° to 13°

FEATURES

- Trendelenburg and reverse Trendelenburg functions for advance positioning
- Powder-coated steel frame for strength and durability
- Specially suited for skin clinics, laser treatments and professional spa environments
- Headrest adjustment -16° to 13° for treatment flexibility

ADJUSTMENTS

Height Electronically adjustable through linear actuator 2 x 2000N Lifting columns
Trendelenburg Electronically adjustable through linear actuator 2 x 2000N Lifting columns

LIFTING CAPACITY

150 Kgs

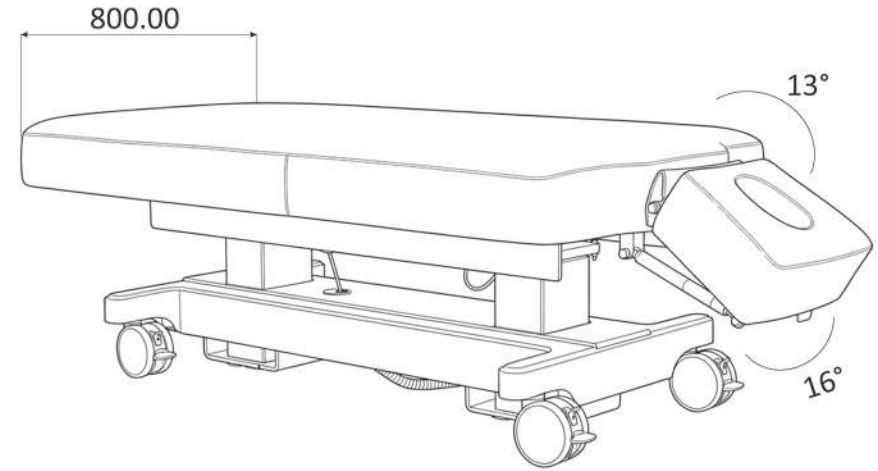
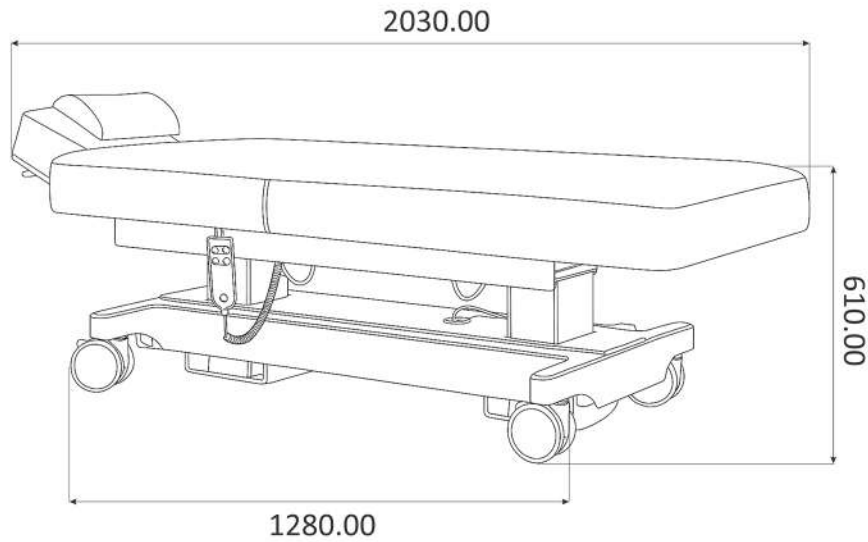
UPHOLSTERY

Type	Phthalate-Free Upholstery	Veridura : Ultra Soft Upholstery
Thickness	1.01 mm	1 mm
Tensile Strength	ISO 1421, 804 N / 5cm	ISO 1421, 869.22 N / 5cm
Features	Fire Retardant, Acetone & Disinfectant Resistant	Anti-Bacterial, Stain resistant, 20 years hydrolysis resistant
Weight	732 g / sqmt	726.7 g / sqmt
Abrasion	ISO 5470-2 = 2,00,000 cycles / min	ISO 5470-2 = 2,00,000 cycles / min

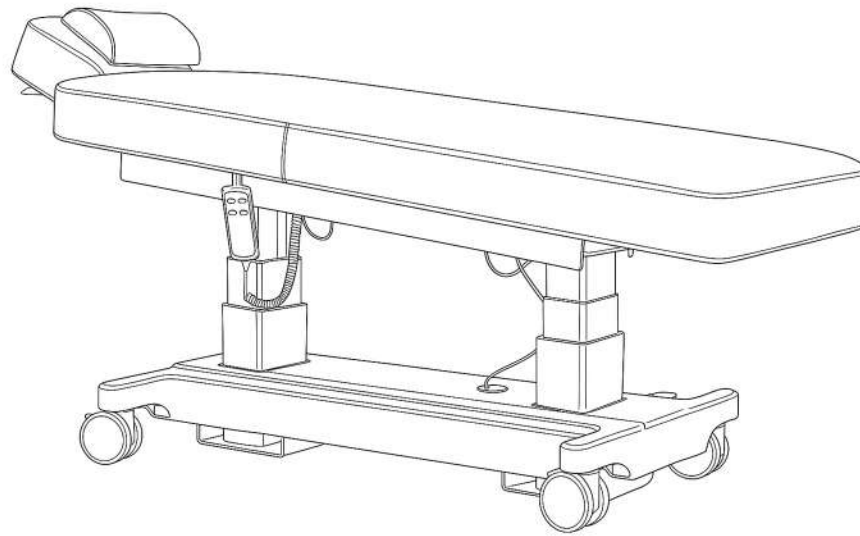
WARRANTY

Structure 1 year
Electronic Motors & Controls 2 years

DIMENSIONS

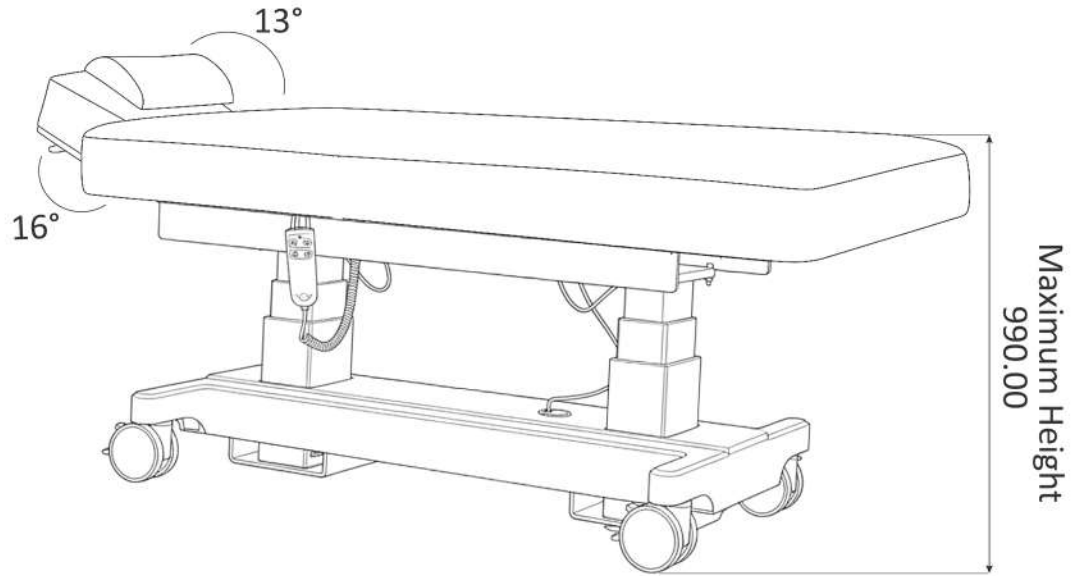


TRENDELENBURG

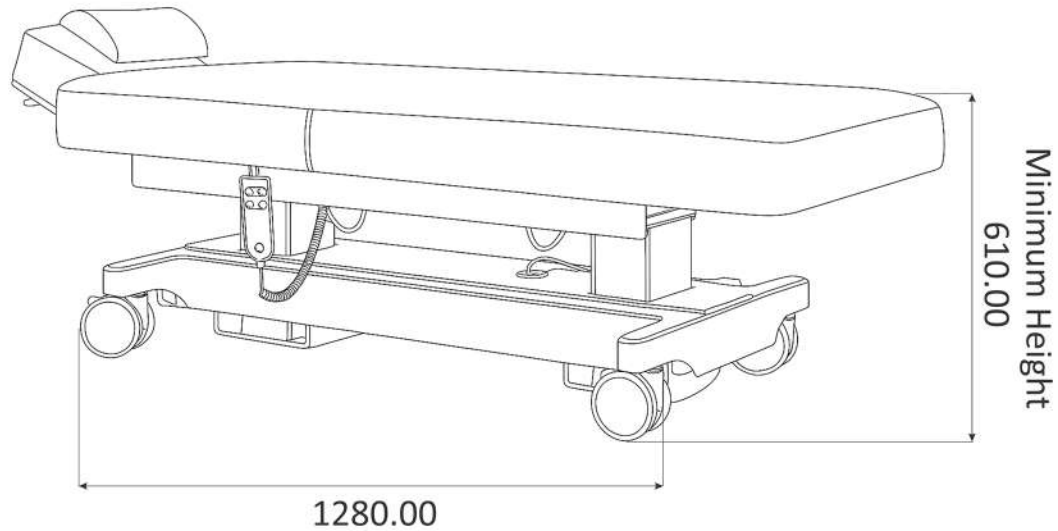


All dimensions are in mm

MAXIMUM HEIGHT



MINIMUM HEIGHT



All dimensions are in mm